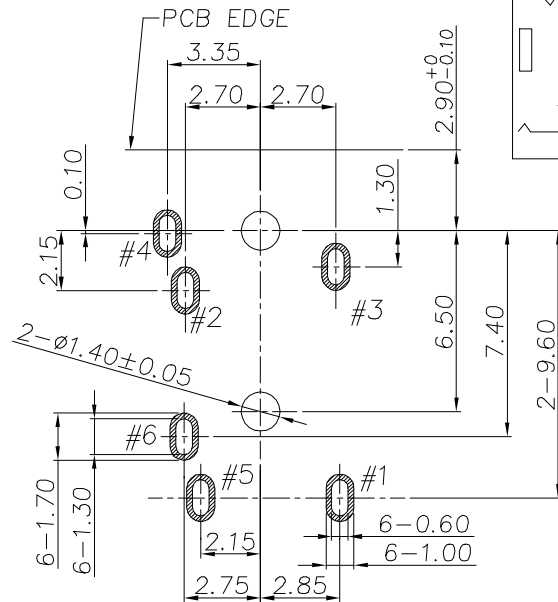
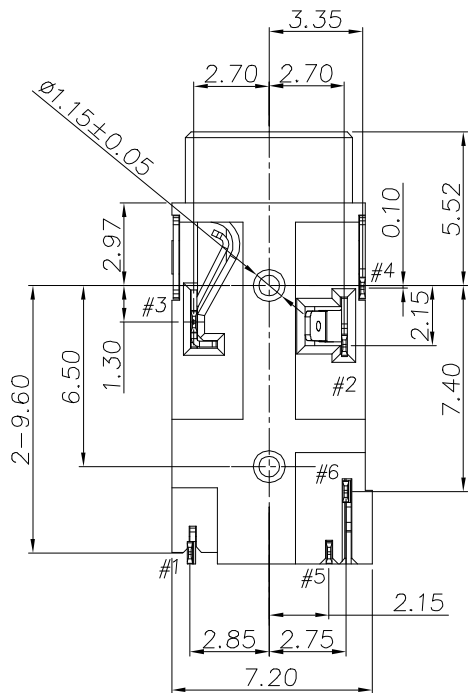
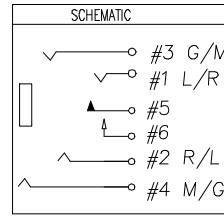
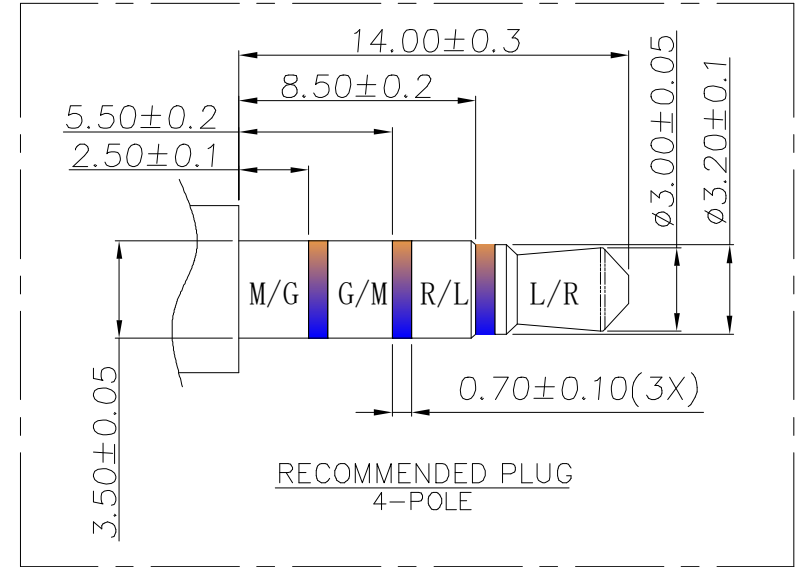
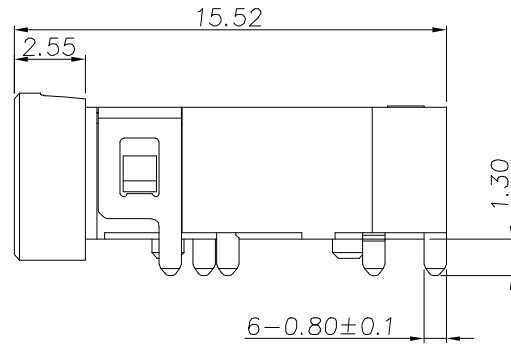
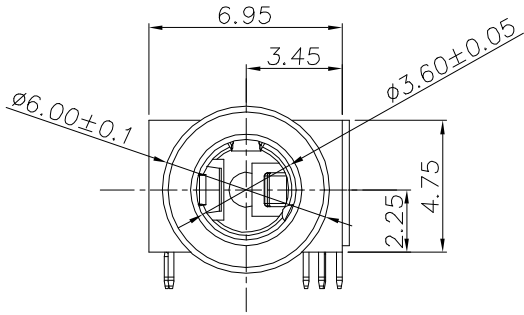


* RoHS COMPLIANT *



RECOMMENDED P.C.B LAYOUT
TOP VIEW (TOLERANCE:±0.05)

UNLESS OTHERWISE SPECIFIED, TOLERANCE ON DECIMAL: ±0.3

* REVISIONS				
LTR	DESCRIPTION	DATE	REVISED	APPROVED

7	Housing	1	PA10T	Black,UL 94V-0
6	CONTACT 6	1	BRONZE	Gold Flash Plating At Contact Area;
5	CONTACT 5	1	BRONZE Insert Molding(PA10T)	Gold Flash Plating At Solder Tail Area;
4	CONTACT 4	1	BRONZE	Nickel 50u"Under Plating All Over
3	CONTACT 3	1	BRONZE	Gold Flash
2	CONTACT 2	1	BRONZE	Plating At Contact Area;
1	CONTACT 1	1	BRONZE	Matte-TIN Plating At Solder Tail Area;
				Nickel 50u"Under Plating All Over
NO.	DESCRIPTION	QTY	MATERIAL	REMARK
DWN	LILY	DATE	2023.04.11	3RD ANGLE PROJECTION
CHKD	ANDY	DATE	2023.04.11	
APVD	JON	DATE	2023.04.11	
JKCR Electronics Co., Ltd.				NAME MINIATURE JACK
				CAT. NO. PJD-035-377ABG
				DWN.NO. SX-035-377
				001