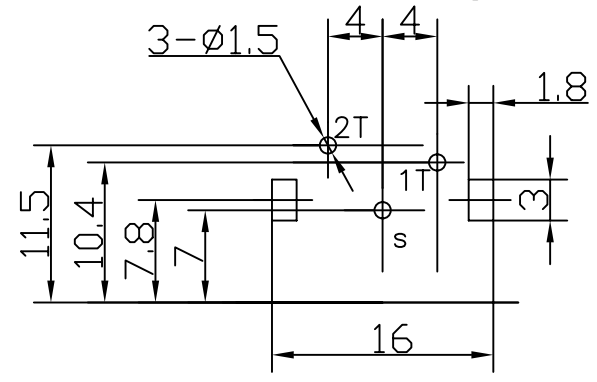
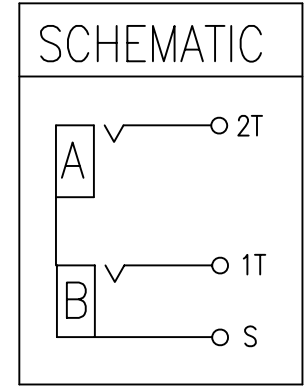
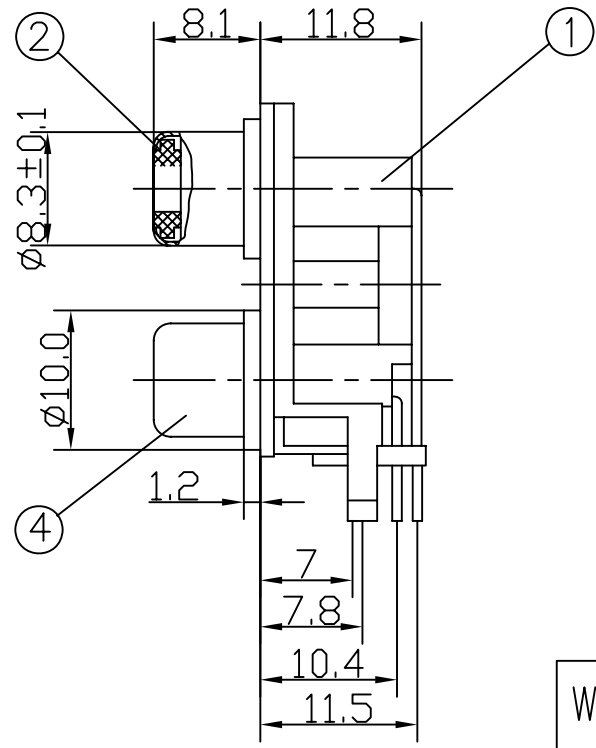
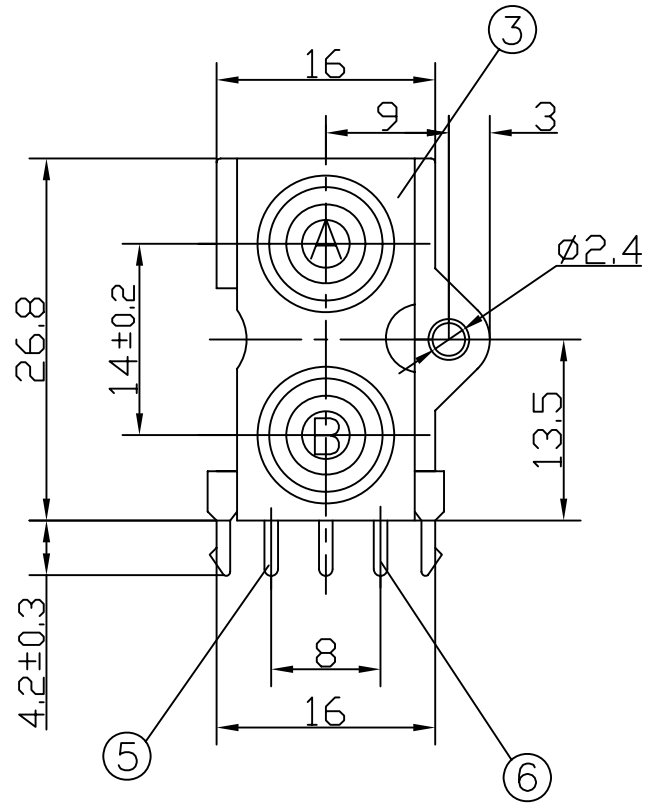


* REVISIONS				
LTR	DESCRIPTION	DATE	REVISED	APPROVED



WASHER	A	B
COLOR	WHITE	RED

LEAD FREE

6	TERMINAL	1	C2680	t=0.4	Cu/Sn	PLATED
5	TERMINAL	1	C2680	t=0.4	Cu/Sn	PLATED
4	OUTER CONTACT	1	C2680	t=0.35	Cu/Sn	PLATED
3	COVER	1	ABS		UL-94HB	(BLACK)
2	WASHER	2	PBT 4815		UL-94V0	
1	HOUSING	1	PBT 4815		UL-94V0	(BLACK)
LTR	PART NAME	QTY	MATERIAL	REMARK		

T:1.6 Dimensions of PC board holes  
Tolerance : ±0.05(Printed-top view)

UNLESS OTHERWISE SPECIFIED, TOLERANCE ON DECIMAL: ±0.3

DWN	LILY	DATE	2013.04.09	3RD ANGLE PROJECTION	NAME	PIN JACK
CHKD	ANDY	DATE	2013.04.09		CAT. NO.	RCA-202V-01H
APVD	JON	DATE	2013.04.09	UNIT: mm	DWN.NO.	C-202V
Jing Cheng Electronics Co., Ltd.						001