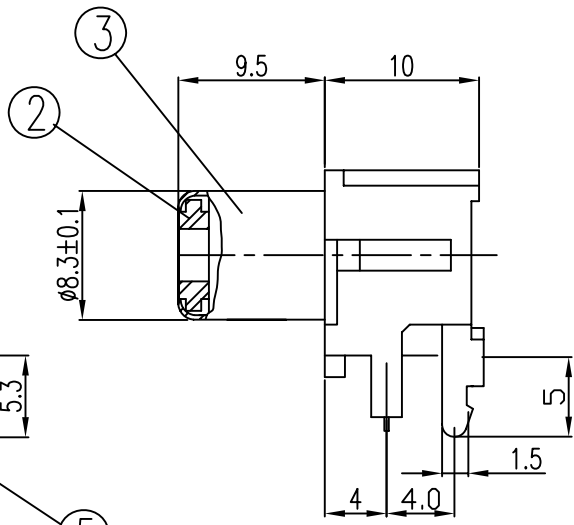
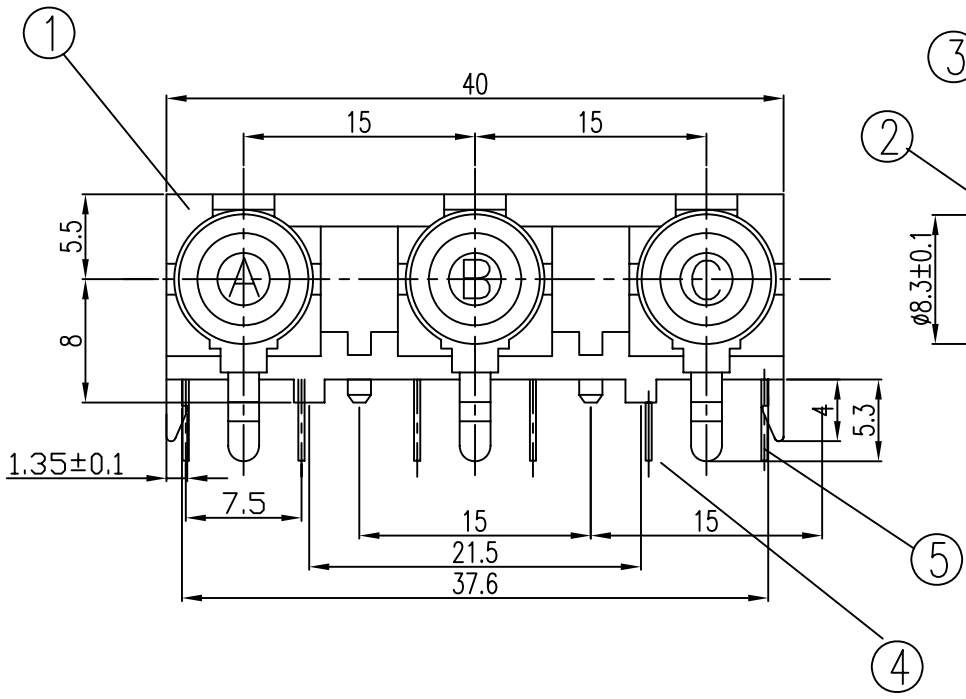
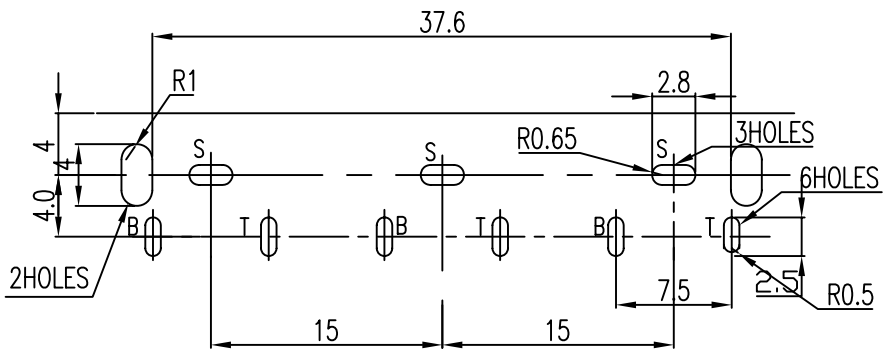


* REVISIONS				
LTR	DESCRIPTION	DATE	REVISED	APPROVED



SCHEMATIC		
RCA-032-33A-27		
COLOR		
A	B	C
RED	GREEN	BLUE



T:1.6 Dimensions of PC board holes
Tolerance : ±0.05(Printed-top view)

UNLESS OTHERWISE SPECIFIED, TOLERANCE ON DECIMAL: ±0.3

LEAD FREE

5	SHUNT SPRING	2	C2680	t=0.4	Cu/Sn PLATED
4	TIP SPRING	2	C5191	t=0.3	Cu/Sn PLATED
3	OUTER CONTACT	3	C2680	t=0.4	Cu/Sn PLATED
2	WASHER	3	PBT 4815		UL-94V0
1	HOUSING	1	PBT 4815		UL-94V0(BLACK)
LTR	PART NAME	QTY	MATERIAL		REMARK
DWN	LILY	DATE	2014.01.21	3RD ANGLE PROJECTION	NAME PIN JACK
CHKD	ANDY	DATE	2014.01.21		CAT. NO. RCA-032-33A-27
APVD	JON	DATE	2014.01.21		UNIT: mm
JKCR Electronics Co., Ltd.					DWN.NO. G-032-33A 001