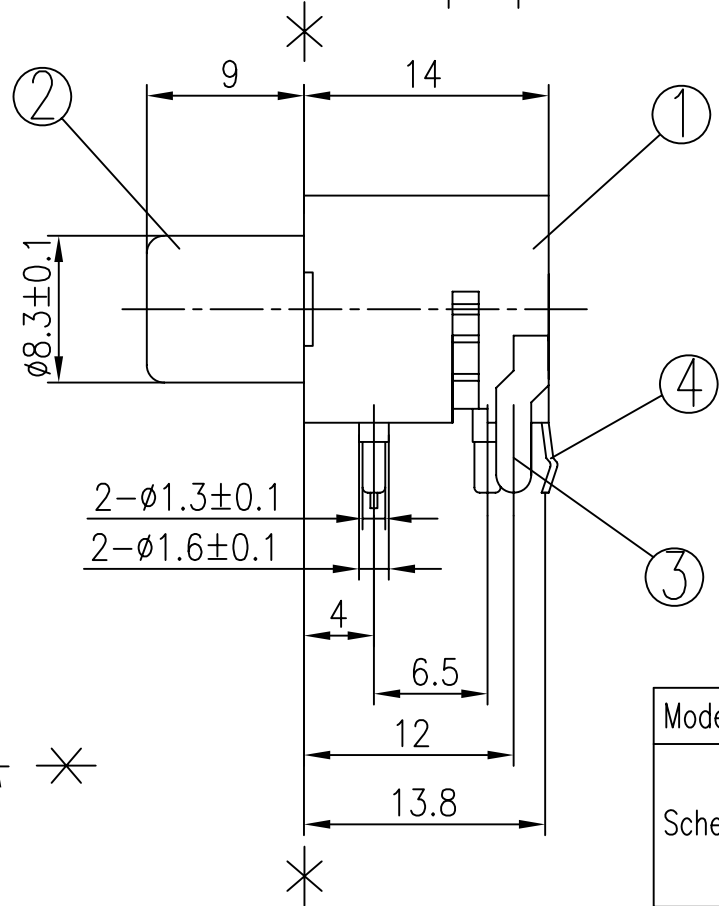
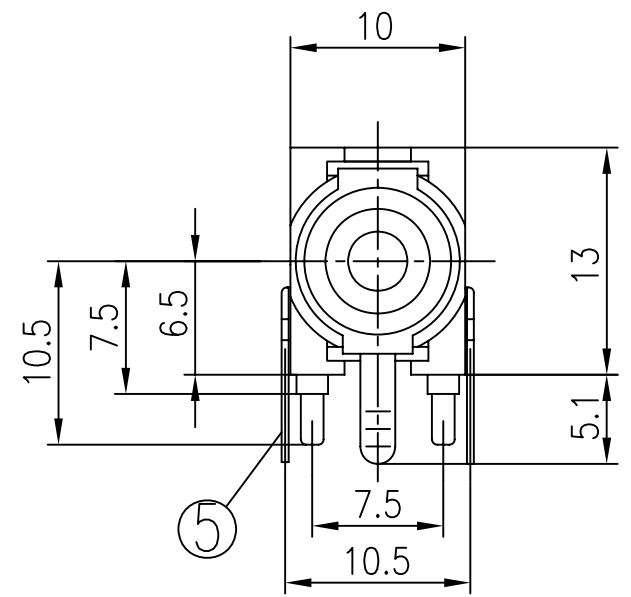
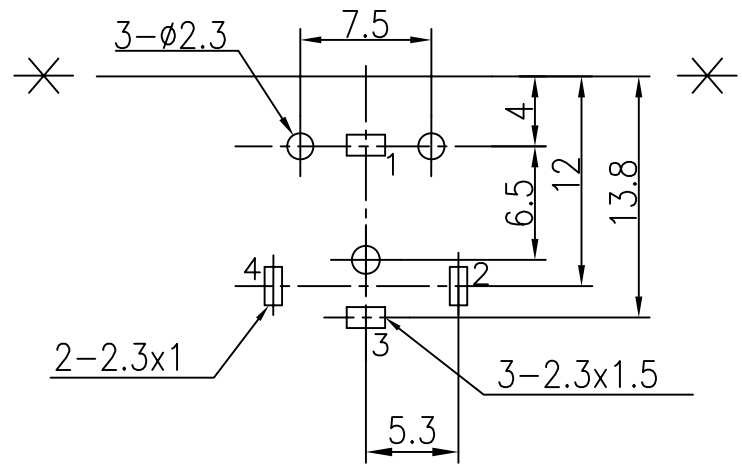


* REVISIONS				
LTR	DESCRIPTION	DATE	REVISED	APPROVED



Model No.	COLOR
RCA-032-07AY	YELLOW

Model No.	RCA-032-07A
Schematic	



5	TERMINAL	1	C2680	t=0.4	Cu/Sn	PLATED
4	TIP SPRING	1	C5191	t=0.4	Ag	PLATED
3	SHUNT SPRING	1	C2680	t=0.4	Ag	PLATED
2	OUTER CONTACT	1	C2680	t=0.4	Cu/Sn	PLATED
1	HOUSING	1	PBT 4815		UL-94V0	

LTR	PART NAME	QTY	MATERIAL	REMARK
DWN	LILY	DATE	2013.08.07	3RD ANGLE PROJECTION
CHKD	ANDY	DATE	2013.08.07	
APVD	JON	DATE	2013.08.07	

NAME	PIN JACK
CAT. NO.	RCA-032-07AY
DWN.NO.	C-032-07

JKCR Electronics Co., Ltd.

T:1.6 Dimensions of PC board holes
Tolerance : ±0.05(Printed-bottom view)
UNLESS OTHERWISE SPECIFIED, TOLERANCE ON DECIMAL:±0.3