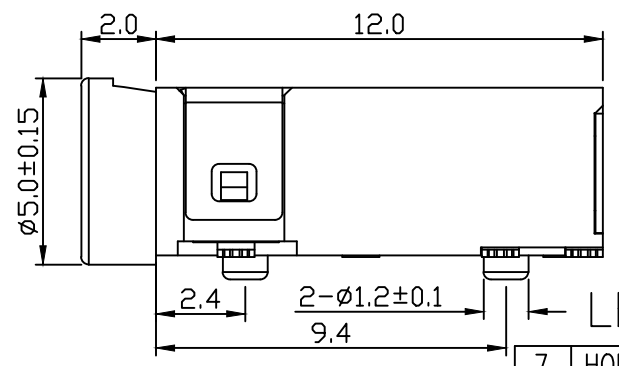
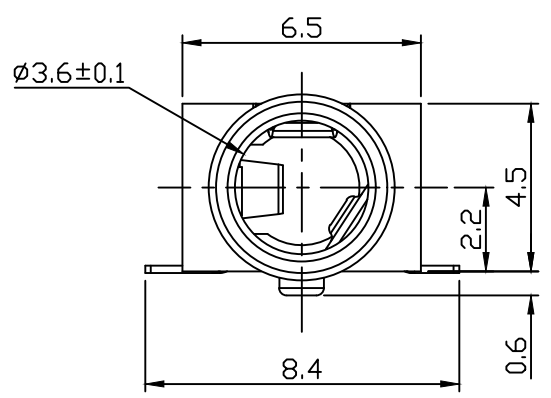
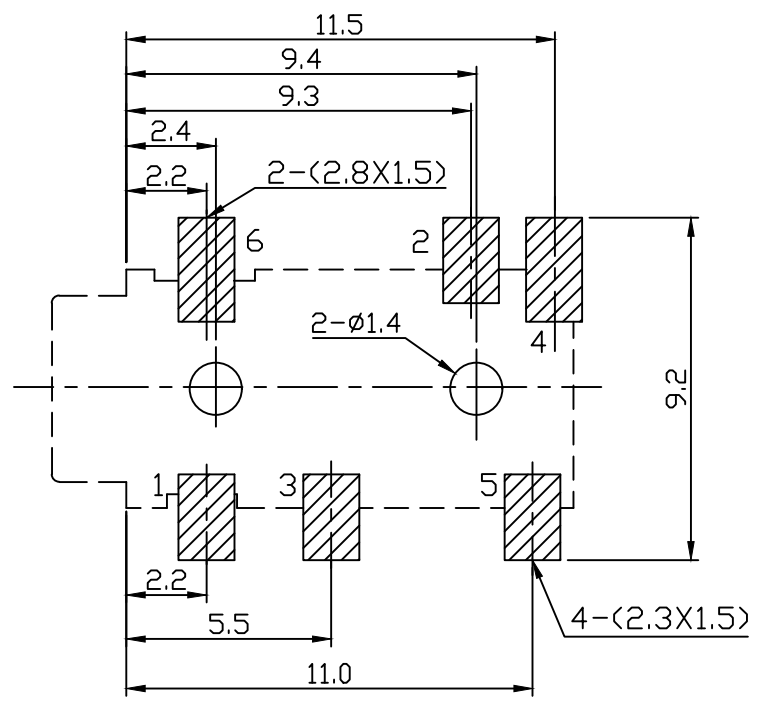
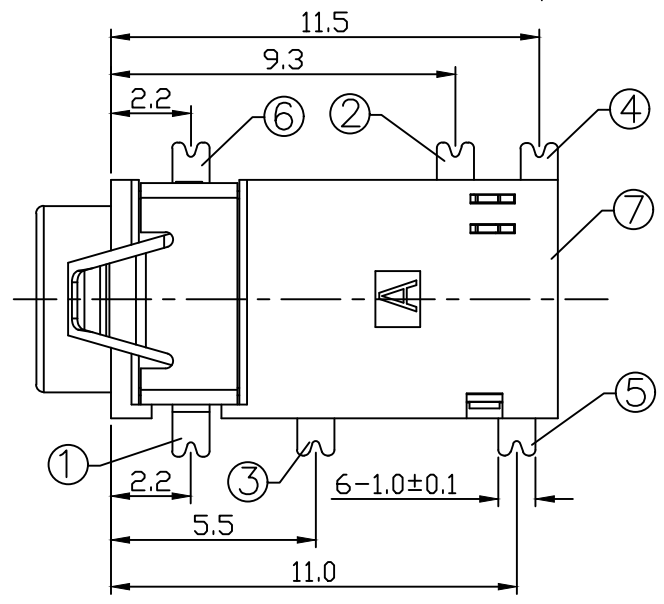
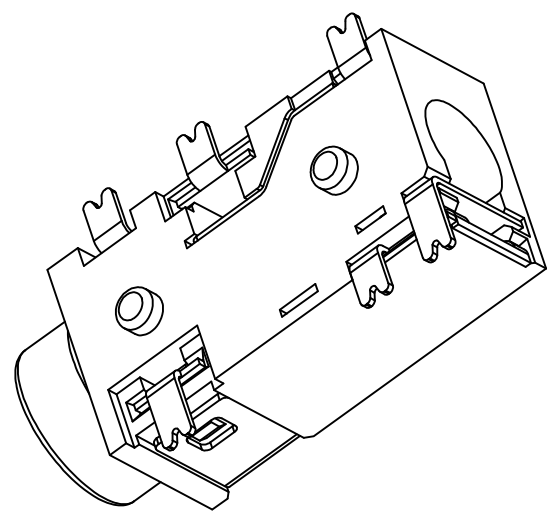
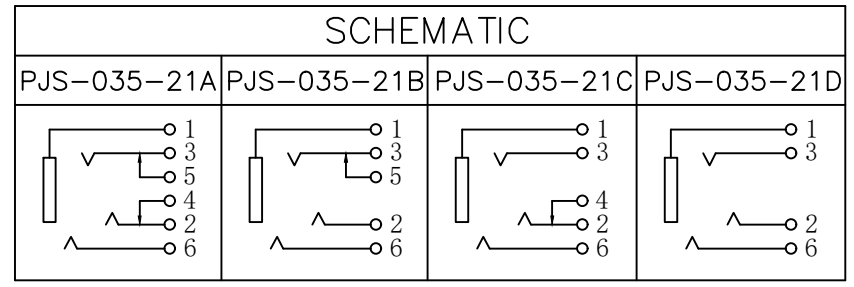


		* REVISIONS		
LTR	DESCRIPTION	DATE	REVISED	APPROVED



T:1.6 Dimensions of PC board holes  
Tolerance : ±0.05(Printed-top view)

LEAD FREE



UNLESS OTHERWISE SPECIFIED, TOLERANCE ON DECIMAL: ±0.2

7	HOUSING	1	PA9T		UL-94V0(BLACK)
6	CONTACT FOOT	1	C2680	t=0.20	Ag PLATED
5	CURVE PIECE	1	C5191	t=0.20	Ag PLATED
4	CURVE PIECE	1	C5191	t=0.20	Ag PLATED
3	SPRING FOOT	1	C5191	t=0.20	Ag PLATED
2	SPRING FOOT	1	C5191	t=0.20	Ag PLATED
1	CONTACT FOOT	1	C5191	t=0.20	Ag PLATED

LTR	PART NAME		QTY	MATERIAL		REMARK
DWN	LILY	DATE	2014.11.24	3RD ANGLE PROJECTION	NAME	
CHKD	ANDY	DATE	2014.11.24		MINIATURE JACK	
APVD	JON	DATE	2014.11.24	UNIT: mm	CAT. NO.	
					PJS-035-21	
					DWN.NO.	
					A-035-21	

JKCR Electronics Co., Ltd.