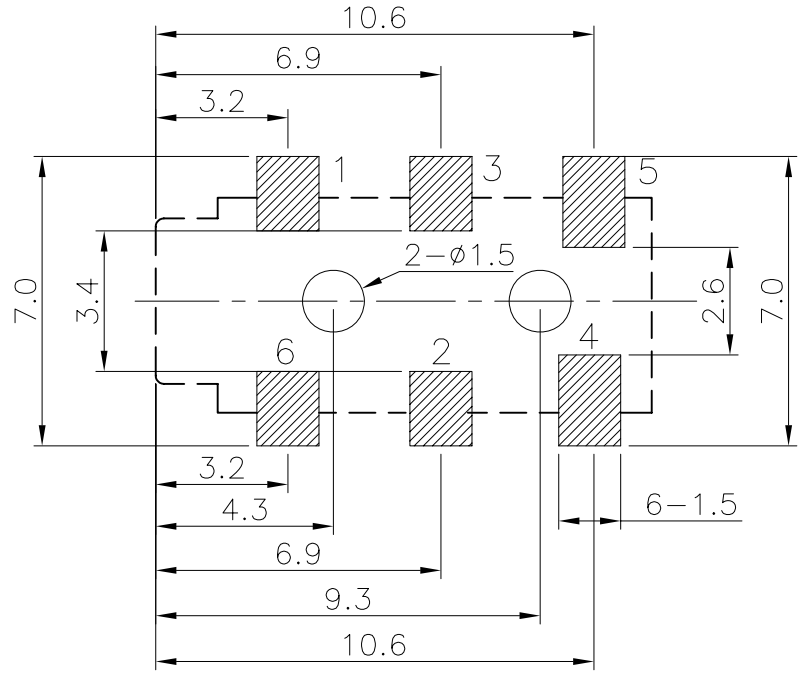
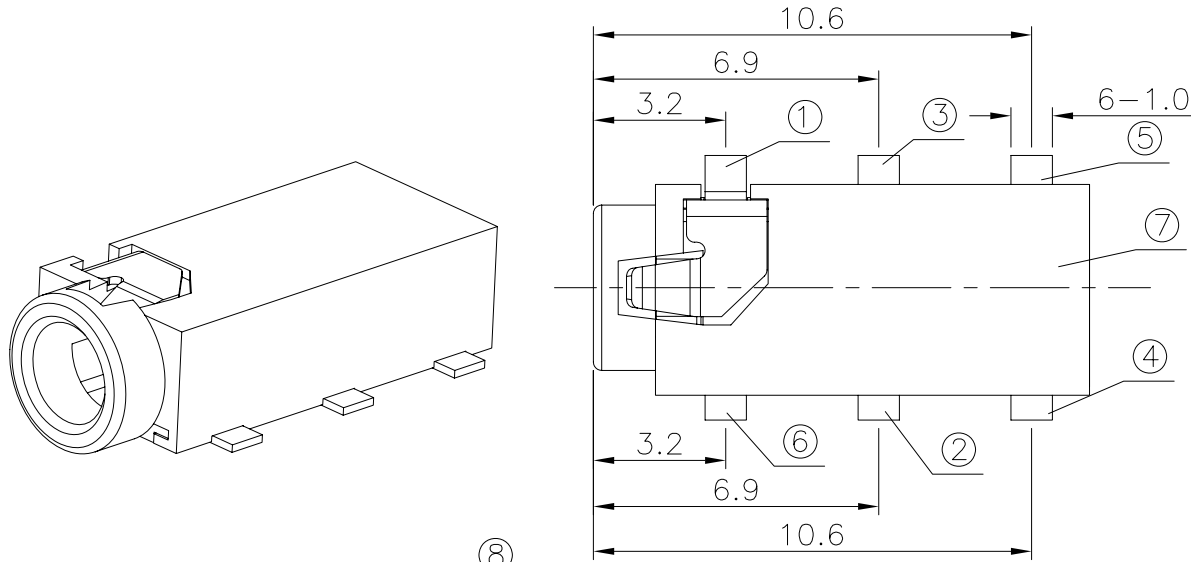
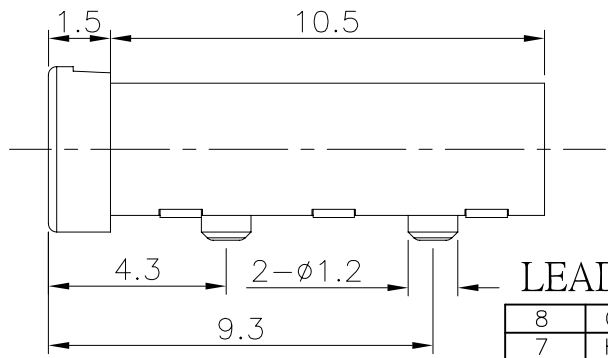
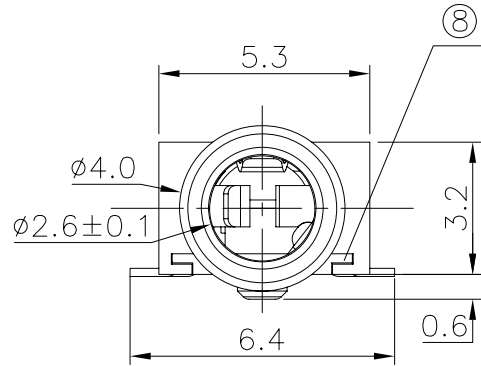


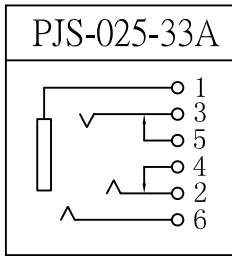
		* REVISIONS		
LTR	DESCRIPTION	DATE	REVISED	APPROVED



T:1.6 Dimensions of PC board holes  
Tolerance : ±0.05(Printed-top view)



LEAD FREE



QTY	PART NAME	MATERIAL	REMARK
1	COVER	PA9T	UL-94V0(BLACK)
1	HOUSING	PA9T	UL-94V0(BLACK)
1	TREMINAL	C5191 t=0.20	Ag PLATED
1	TREMINAL	C2680 t=0.20	Ag PLATED
1	TREMINAL	C2680 t=0.20	Ag PLATED
1	TREMINAL	C5191 t=0.20	Ag PLATED
1	TREMINAL	C5191 t=0.25	Ag PLATED
1	TREMINAL	C5191 t=0.20	Ag PLATED

LTR	PART NAME	QTY	MATERIAL	REMARK
DWN	LILY	DATE	2015.02.04	3RD ANGLE PROJECTION
CHKD	ANDY	DATE	2015.02.04	
APVD	JON	DATE	2015.02.04	UNIT: mm

NAME  
MINIATURE JACK  
CAT. NO.  
PJS-025-33A

UNLESS OTHERWISE SPECIFIED, TOLERANCE ON DECIMAL: ±0.2

JKCR Electronics Co., Ltd.

DWN.NO.  
A-025-33 001