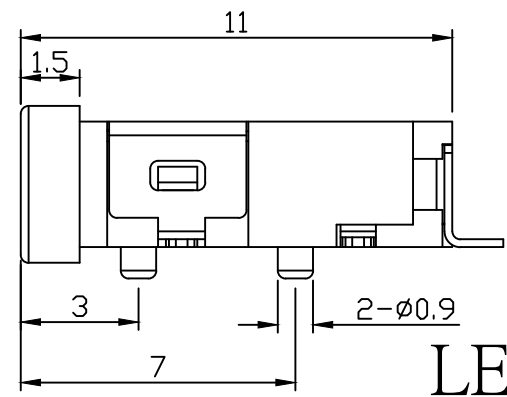
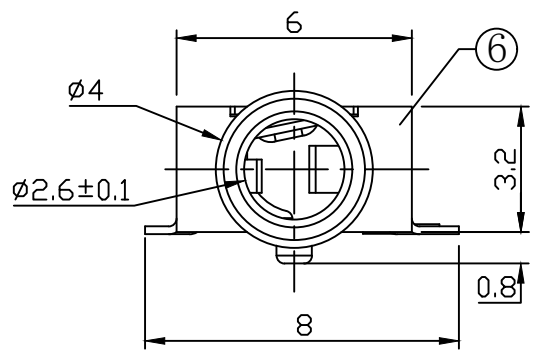
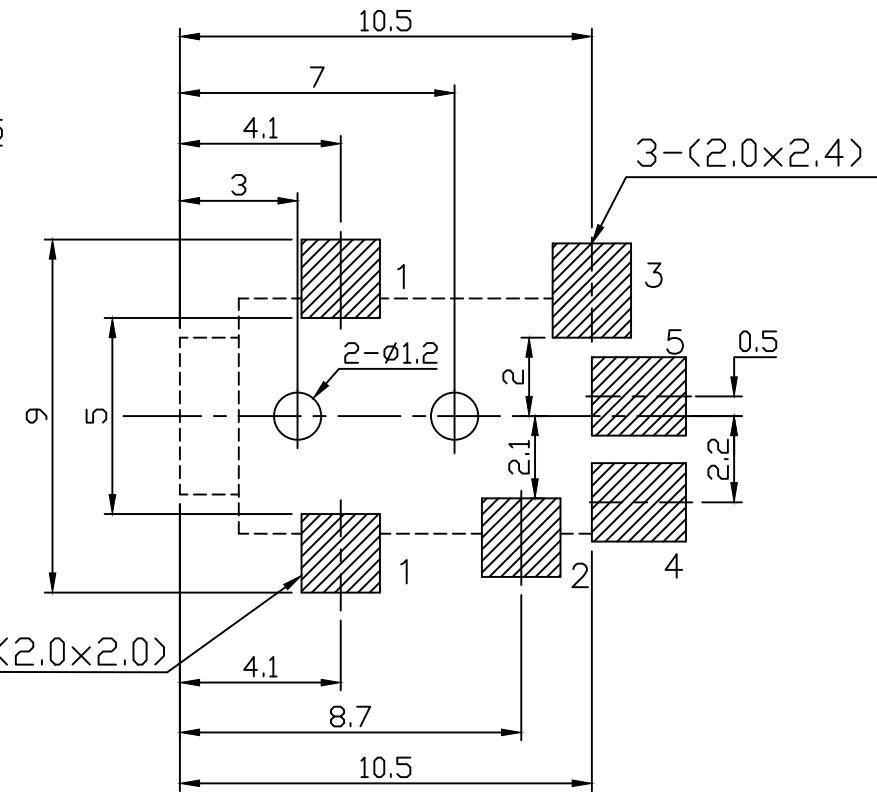
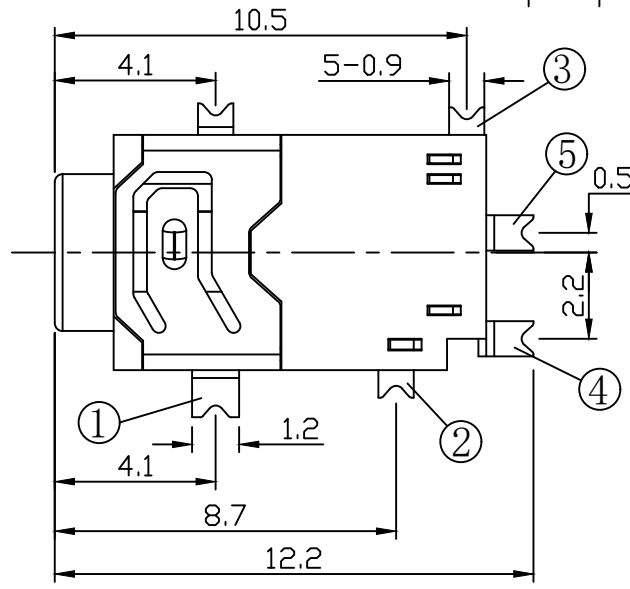
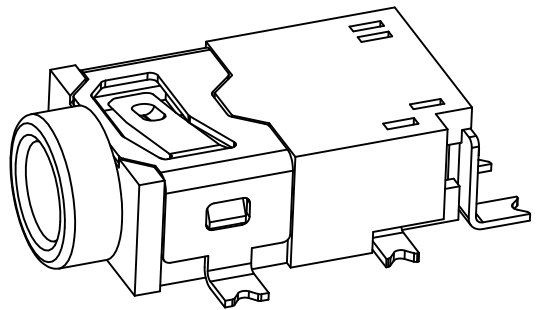


		* REVISIONS		
LTR	DESCRIPTION	DATE	REVISED	APPROVED



T:1.6 Dimensions of PC board holes  
Tolerance : ±0.05(Printed-top view)

**LEAD FREE**

SCHEMATIC			
PJS-025-09A	PJS-025-09B	PJS-025-09C	PJS-025-09D

UNLESS OTHERWISE SPECIFIED, TOLERANCE ON DECIMAL: ±0.2

6	HOUSING	1	PA9T	UL-94V0(BLACK)
5	CONTACT FOOT	1	C2680 t=0.20	Ag PLATED
4	CONTACT FOOT	1	C2680 t=0.20	Ag PLATED
3	SPRING PIECE	1	C5191 t=0.20	Ag PLATED
2	SPRING PIECE	1	C5191 t=0.25	Ag PLATED
1	CONTACT FOOT	1	C2680 t=0.20	Ag PLATED

LTR	PART NAME		QTY	MATERIAL		REMARK
DWN	LILY	DATE	2015.03.02	3RD ANGLE PROJECTION	NAME MINIATURE JACK	
CHKD	ANDY	DATE	2015.03.02		CAT. NO. PJS-025-09	
APVD	JON	DATE	2015.03.02		UNIT: mm	DWN.NO. A-025-09
JKCR Electronics Co., Ltd.						001