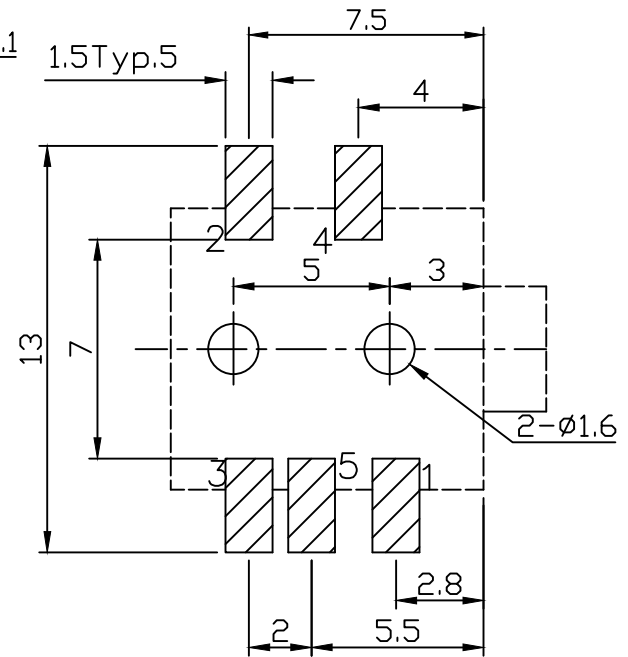
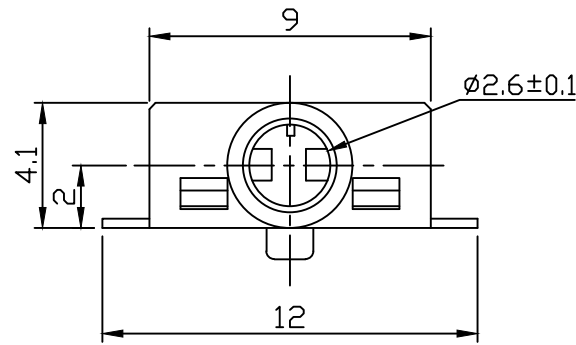
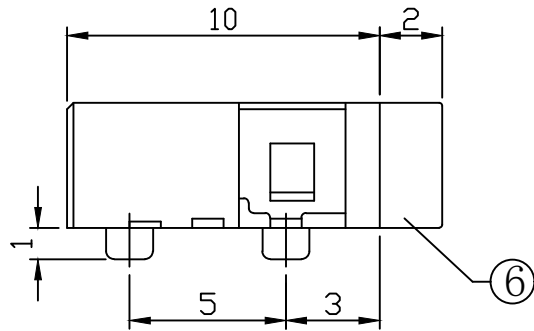


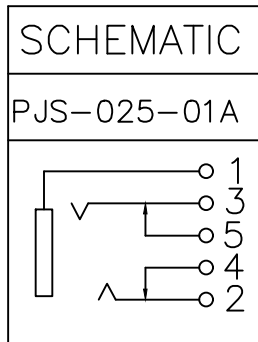
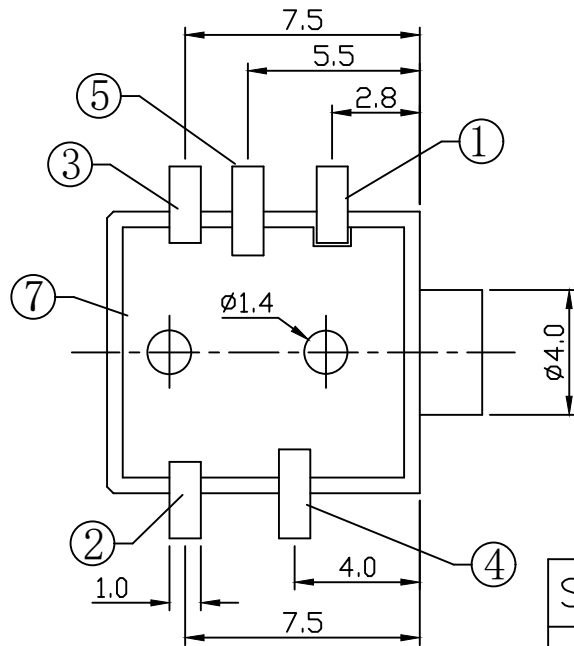
\* RoHS COMPLIANT \*

\* REVISIONS

LTR	DESCRIPTION	DATE	REVISED	APPROVED



T:1.6 Dimensions of PC board holes  
Tolerance :  $\pm 0.05$ (Printed-top view)



7	COVER	1	PA9T	UL-94V0(BLACK)
6	HOUSING	1	PA9T	UL-94V0(BLACK)
5	CURVE PIECE	1	C2680 t=0.2	Au PLATED
4	CURVE PIECE	1	C2680 t=0.3	Au PLATED
3	SPRING PIECE	1	C5191 t=0.2	Au PLATED
2	SPRING PIECE	1	C5191 t=0.2	Au PLATED
1	CONTACT	1	C5191 t=0.3	Au PLATED
LTR	PART NAME	QTY	MATERIAL	REMARK
DWN	LILY	DATE	2013.12.26	3RD ANGLE PROJECTION NAME MINIATURE JACK CAT. NO. PJS-025-01AG DWN.NO. A-025-01
CHKD	ANDY	DATE	2013.12.26	
APVD	JON	DATE	2013.12.26	
JKCR Electronics Co., Ltd.				001

UNLESS OTHERWISE SPECIFIED, TOLERANCE ON DECIMAL:  $\pm 0.2$