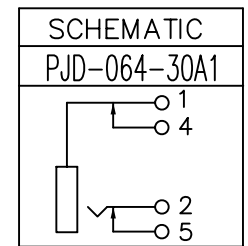
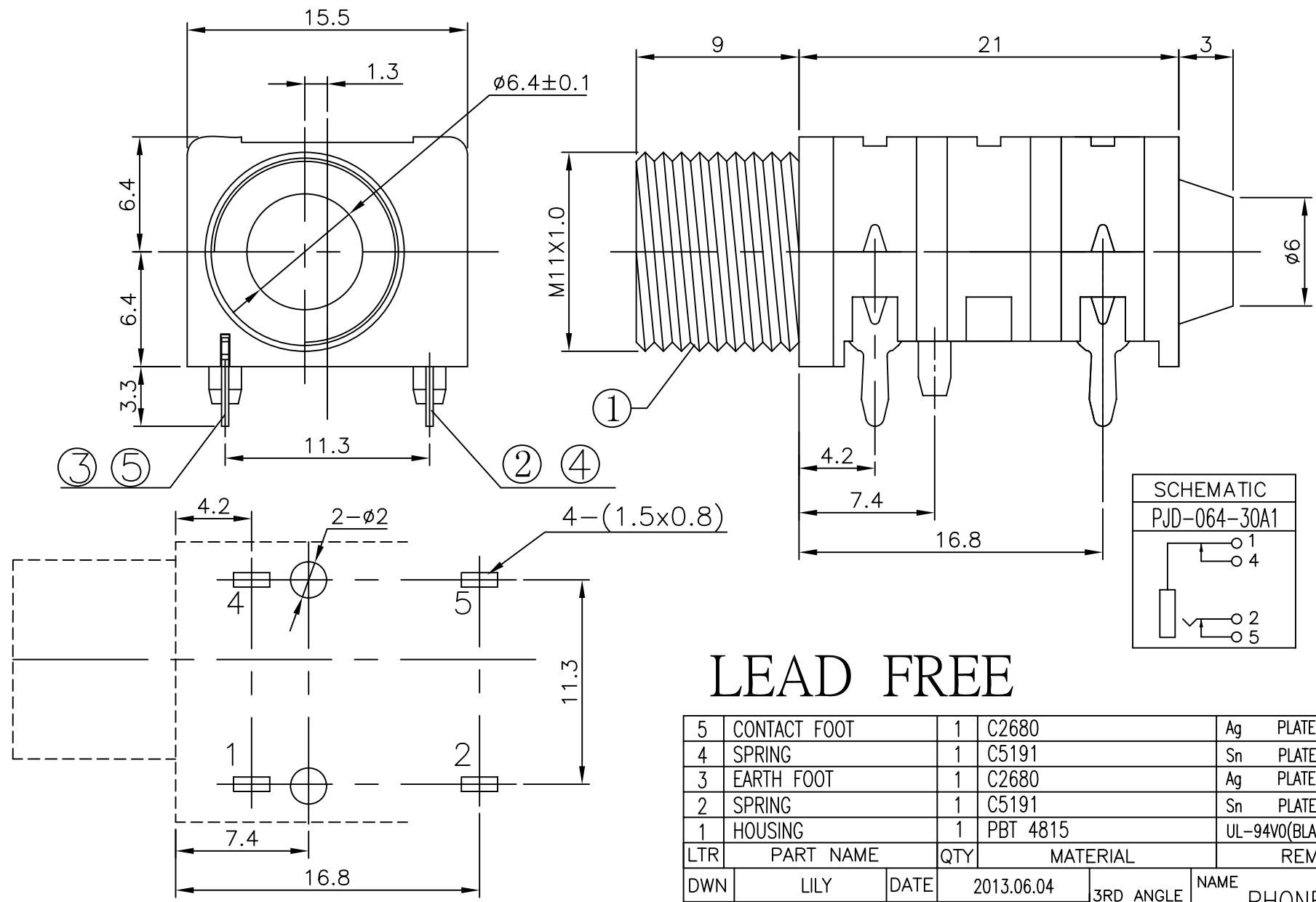


* REVISIONS				
LTR	DESCRIPTION	DATE	REVISED	APPROVED



LEAD FREE

5	CONTACT FOOT	1	C2680	Ag	PLATED
4	SPRING	1	C5191	Sn	PLATED
3	EARTH FOOT	1	C2680	Ag	PLATED
2	SPRING	1	C5191	Sn	PLATED
1	HOUSING	1	PBT 4815	UL-94V0	(BLACK)

T:1.6 Dimensions of PC board holes
Tolerance : ±0.05(Printed-top view)

UNLESS OTHERWISE SPECIFIED, TOLERANCE ON DECIMAL: ±0.3

LTR	PART NAME		QTY	MATERIAL		REMARK
DWN	LILY	DATE	2013.06.04	3RD ANGLE PROJECTION	NAME PHONE JACK	
CHKD	ANDY	DATE	2013.06.04		CAT. NO. PJD-064-30A1	
APVD	JON	DATE	2013.06.04		UNIT: mm	DWN.NO. B-064-30
JKCR Electronics Co., Ltd.						001