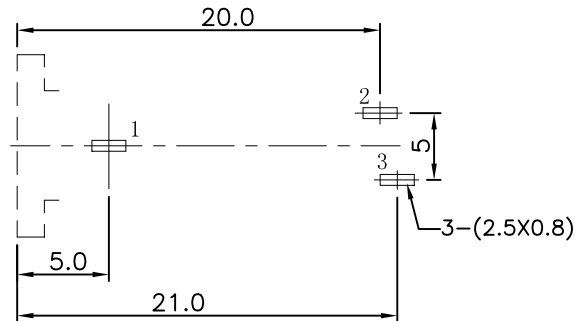
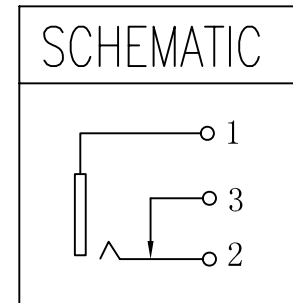
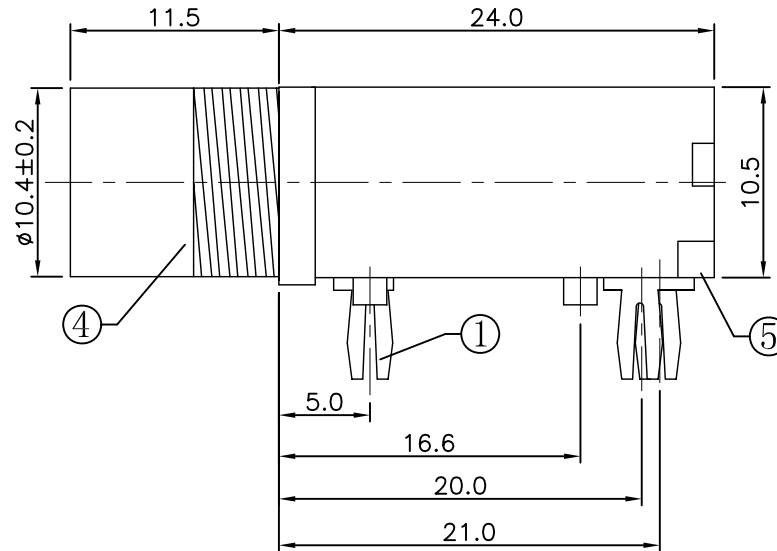
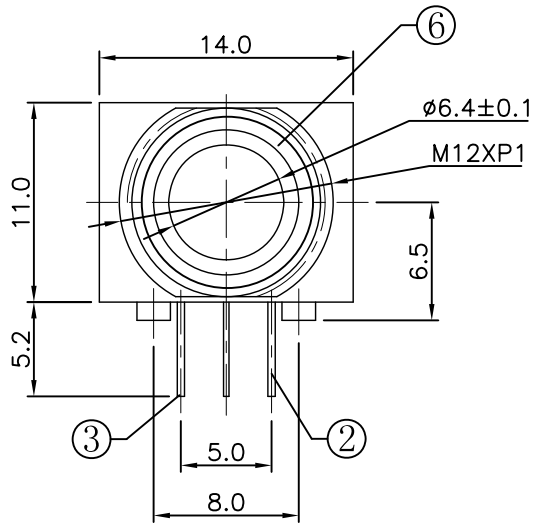


* REVISIONS				
LTR	DESCRIPTION	DATE	REVISED	APPROVED



T:1.6 Dimensions of PC board holes
Tolerance : ±0.05(Printed-BOTTOM view)

UNLESS OTHERWISE SPECIFIED, TOLERANCE ON DECIMAL: ±0.3

LEAD FREE

6	AXIS SUPPORT	1	H59(COPPER ALLOY)	Ni PLATED
5	COVER	1	ABS	UL-94HB
4	HOUSING	1	ABS	UL-94HB(BLACK)
3	3# CONTACT FOOT	1	C2680 t=0.4	Sn PLATED
2	2# CONTACT FOOT	1	C5191 t=0.4	Sn PLATED
1	1# CONTACT FOOT	1	C5191 t=0.3	Sn PLATED

LTR	PART NAME	QTY	MATERIAL	REMARK
DWN	LILY	DATE	2013.04.28	3RD ANGLE PROJECTION NAME PHONE JACK CAT. NO. PJD-064-09I DWN.NO. B-064-09
CHKD	ANDY	DATE	2013.04.28	
APVD	JON	DATE	2013.04.28	
JKCR Electronics Co., Ltd.				001