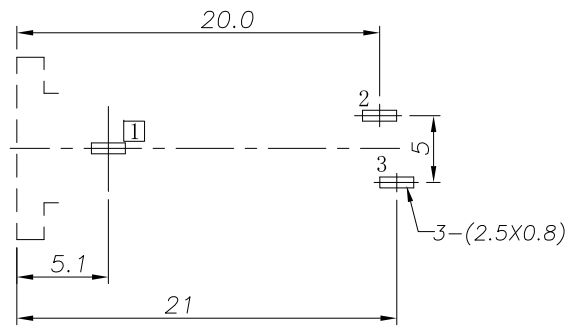
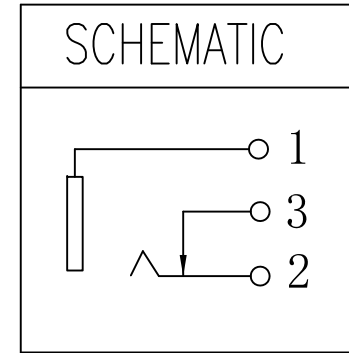
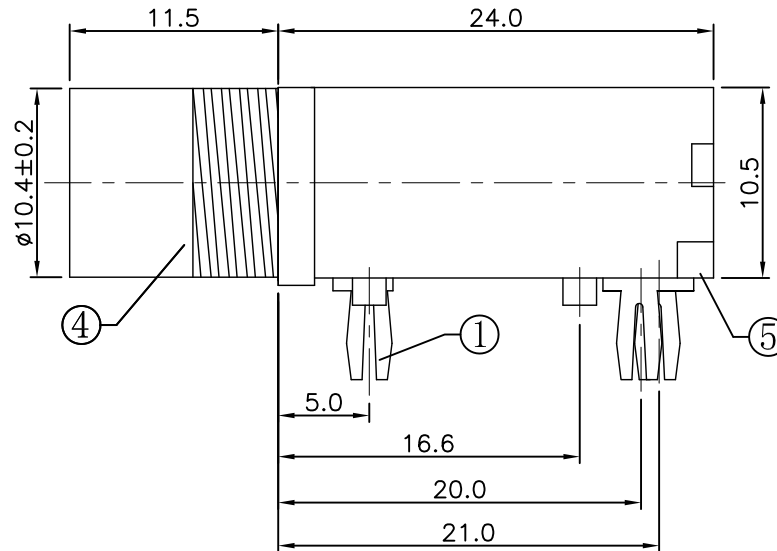
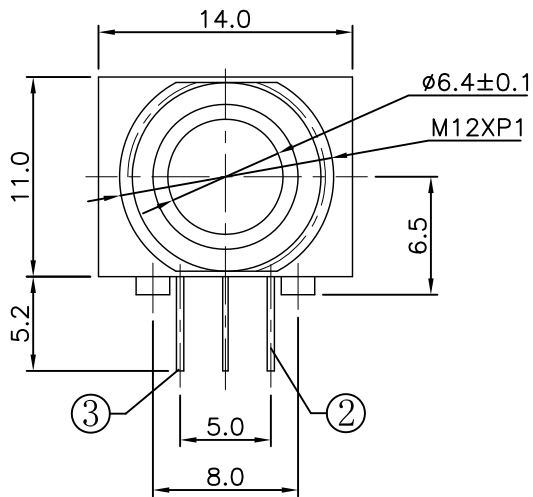


* REVISIONS				
LTR	DESCRIPTION	DATE	REVISED	APPROVED



T:1.6 Dimensions of PC board holes  
Tolerance : ±0.05(Printed-BOTTOM view)

## LEAD FREE

5	COVER	1	ABS	UL-94HB(RED)
4	HOUSING	1	ABS	UL-94HB(BLACK)
3	3# CONTACT FOOT	1	C2680 t=0.4	Sn PLATED
2	2# CONTACT FOOT	1	C5191 t=0.4	Sn PLATED
1	1# CONTACT FOOT	1	C5191 t=0.3	Sn PLATED
LTR	PART NAME	QTY	MATERIAL	REMARK
DWN	LILY	DATE	2013.04.28	3RD ANGLE PROJECTION NAME PHONE JACK
CHKD	ANDY	DATE	2013.04.28	
APVD	JON	DATE	2013.04.28	
UNIT: mm				CAT. NO. PJD-064-08I
JKCR Electronics Co., Ltd.				DWN.NO. B-064-08
				001

UNLESS OTHERWISE SPECIFIED, TOLERANCE ON DECIMAL: ±0.3