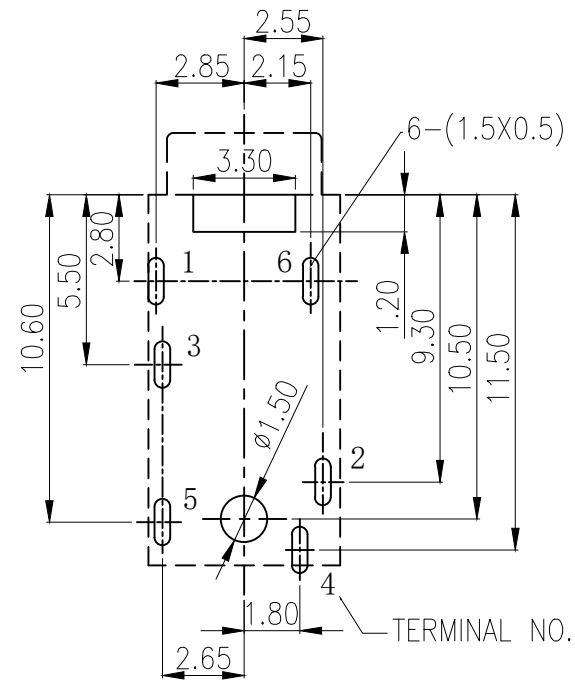
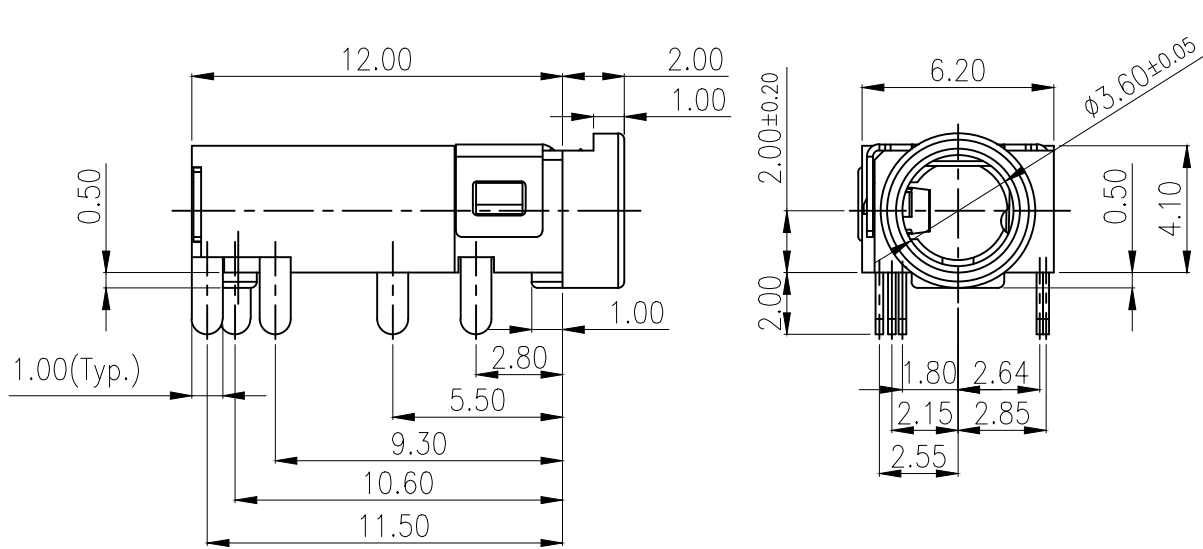
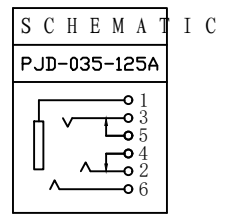
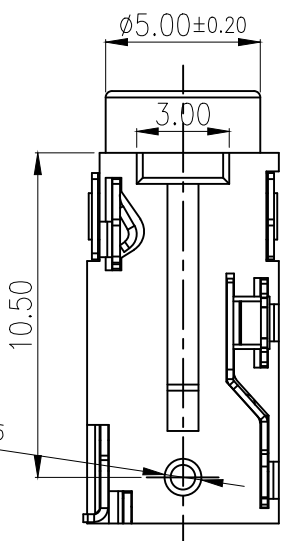
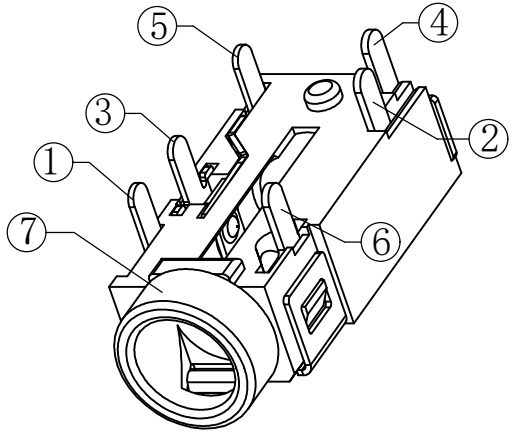


* RoHS COMPLIANT *

* REVISIONS				
LTR	DESCRIPTION	DATE	REVISED	APPROVED



T:1.6 Dimensions of PC board holes
Tolerance : ± 0.05 (Printed-top view)



UNLESS OTHERWISE SPECIFIED, TOLERANCE ON DECIMAL: ± 0.2

7	HOUSING	1	PA9T		UL-94V0(BLACK)
6	RING SPRING	1	C5191	t=0.25	Ag PLATED
5	SHUNT TERMINAL	1	C2680	t=0.25	Ag PLATED
4	SHUNT TERMINAL	1	C2680	t=0.20	Ag PLATED
3	RING SPRING	1	BeCu	t=0.20	Ag PLATED
2	TIP SPRING	1	BeCu	t=0.25	Ag PLATED
1	EARTH SPRING	1	C5191	t=0.20	Ag PLATED
LTR	PART NAME	QTY	MATERIAL		REMARK
DWN	LILY	DATE	2013.08.08	3RD ANGLE PROJECTION	NAME MINIATURE JACK
CHKD	ANDY	DATE	2013.08.08	UNIT: mm	CAT. NO. PJD-035-125A
APVD	JON	DATE	2013.08.08		DWN.NO. F-035-125
JKCR Electronics Co., Ltd.					001