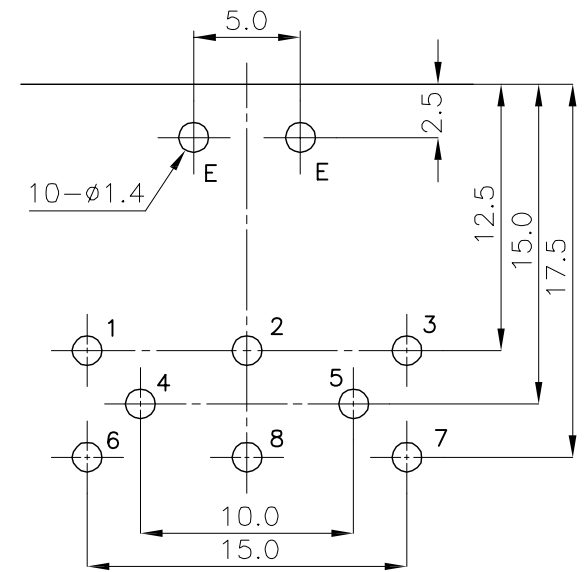
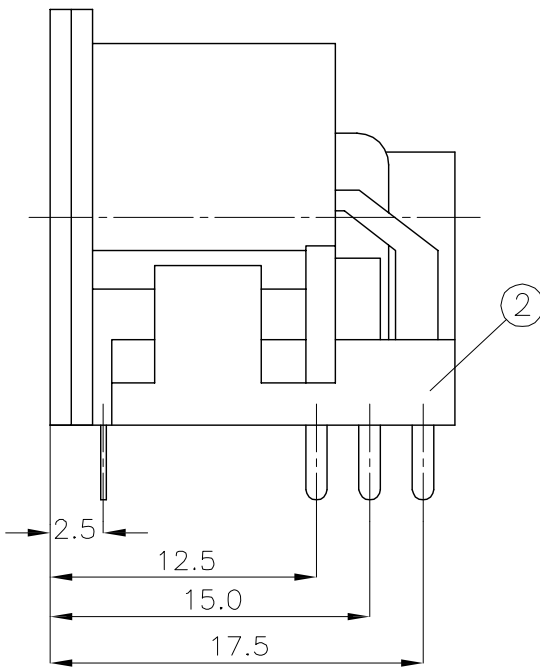
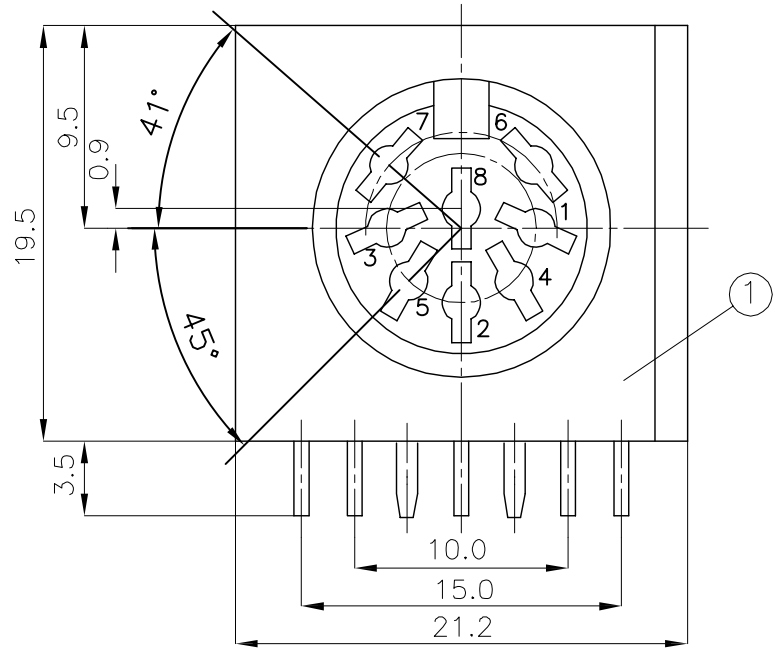
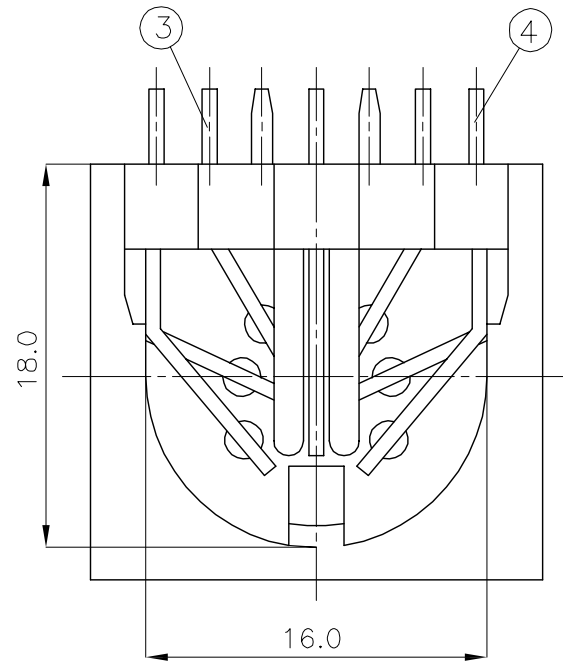


* REVISIONS				
LTR	DESCRIPTION	DATE	REVISED	APPROVED



T:1.6 Dimensions of PC board holes  
Tolerance:±0.05(Printed-top view)



UNLESS OTHERWISE SPECIFIED, TOLERANCE ON DECIMAL: ±0.3

### LEAD FREE

4	TERMINAL	8	C2680 t=0.70	Ag PLATED
3	EARTH TERMINAL	1	C5191 t=0.25	Ag PLATED
2	COVER	1	PBT 4815	UL-94V0(BLACK)
1	HOUSING	1	PBT 4815	UL-94V0(BLACK)
LTR	PART NAME	QTY	MATERIAL	REMARK
DWN	LILY	DATE	2013.11.21	3RD ANGLE PROJECTION NAME S JACK
CHKD	ANDY	DATE	2013.11.21	
APVD	JON	DATE	2013.11.21	
UNIT: mm				CAT. NO. MD-09801-8
JKCR Electronics Co., Ltd.				DWN.NO. B-09801
				001