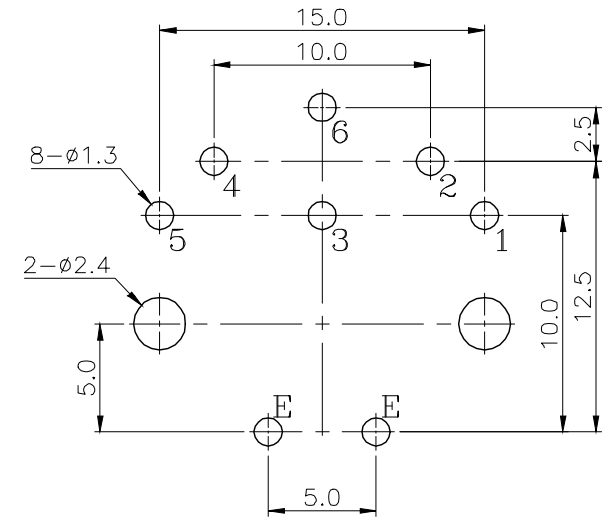
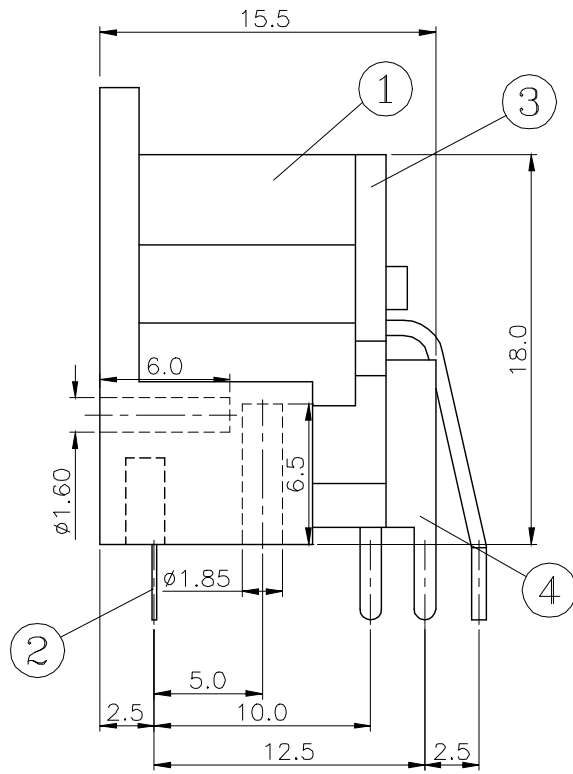
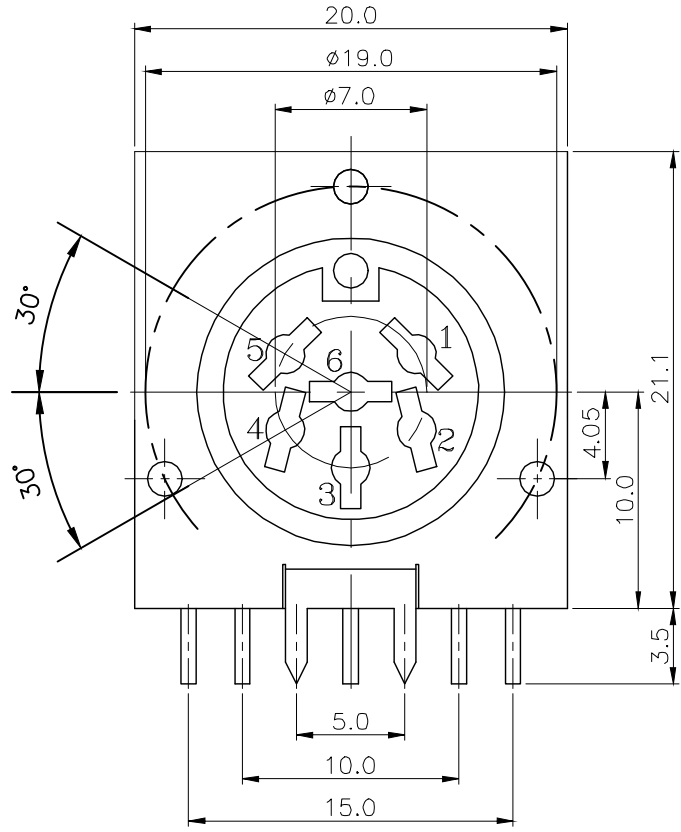


* REVISIONS				
LTR	DESCRIPTION	DATE	REVISED	APPROVED



T:1.6 Dimensions of PC board holes  
Tolerance:±0.05(Printed-top view)

## LEAD FREE

4	TERMINAL	6	C2680 t=0.7	Ag PLATED
3	COVER	1	PF	YELLOW
2	EARTH TERMINAL	1	C2680 t=0.2	Ag PLATED
1	HOUSING	1	PBT 4815	UL-94V0(BLACK)
LTR	PART NAME	QTY	MATERIAL	REMARK
DWN	LILY	DATE	2013.11.21	3RD ANGLE PROJECTION NAME S JACK
CHKD	ANDY	DATE	2013.11.21	
APVD	JON	DATE	2013.11.21	
JKCR Electronics Co., Ltd.				CAT. NO. MD-09136S-6
				DWN.NO. B-09136
				001

UNLESS OTHERWISE SPECIFIED, TOLERANCE ON DECIMAL: ±0.3