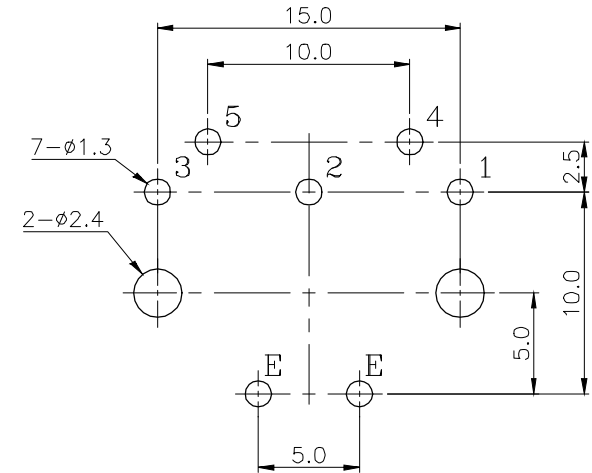
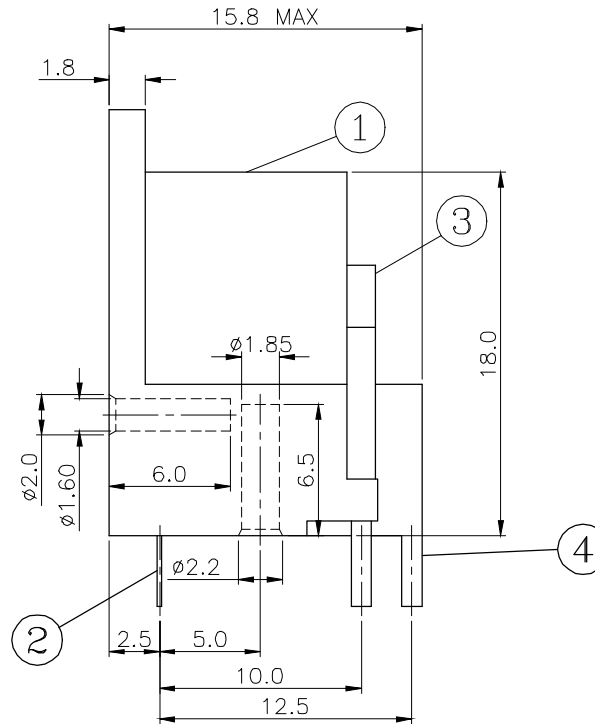
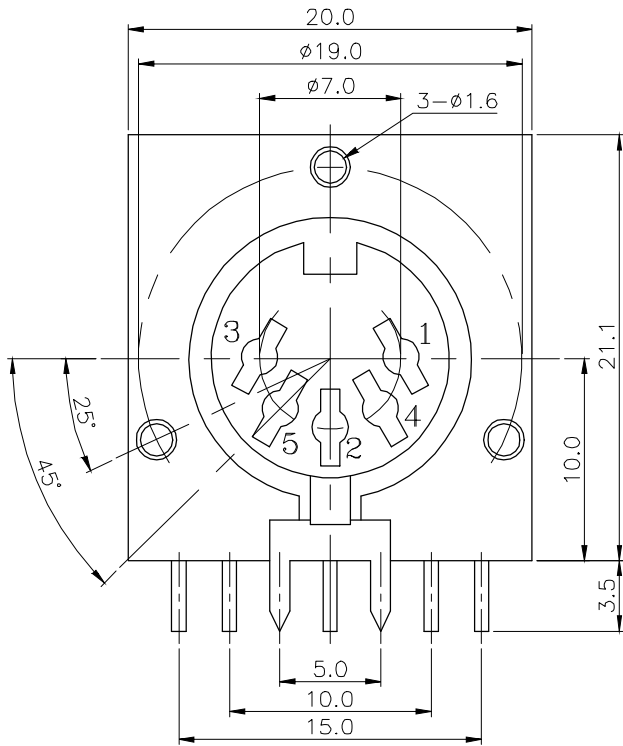


\* RoHS COMPLIANT \*

* REVISIONS				
LTR	DESCRIPTION	DATE	REVISED	APPROVED



T:1.6 Dimensions of PC board holes  
Tolerance:±0.05(Printed-top view)

UNLESS OTHERWISE SPECIFIED, TOLERANCE ON DECIMAL: ±0.3

4	TERMINAL	5	C2680 t=0.7	Ag PLATED
3	INSULATION BOARD	1	PE	
2	SHIELDED TERMINAL	1	C5191 t=0.2	Ag PLATED
1	HOUSING	1	PBT 4815	UL-94V0(BLACK)
LTR	PART NAME	QTY	MATERIAL	REMARK
DWN	LILY	DATE	2016.06.20	3RD ANGLE PROJECTION NAME S JACK CAT. NO. MD-09125S-5 DWN.NO. B-09125
CHKD	ANDY	DATE	2016.06.20	
APVD	JON	DATE	2016.06.20	
JKCR Electronics Co., Ltd.				001