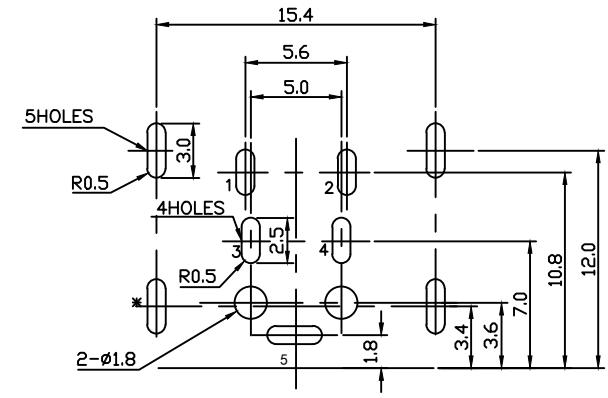
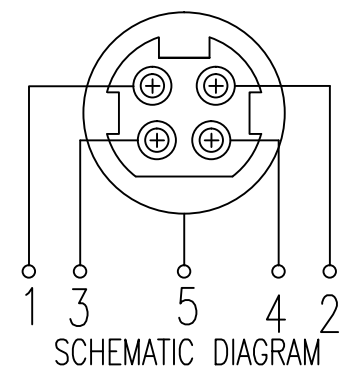
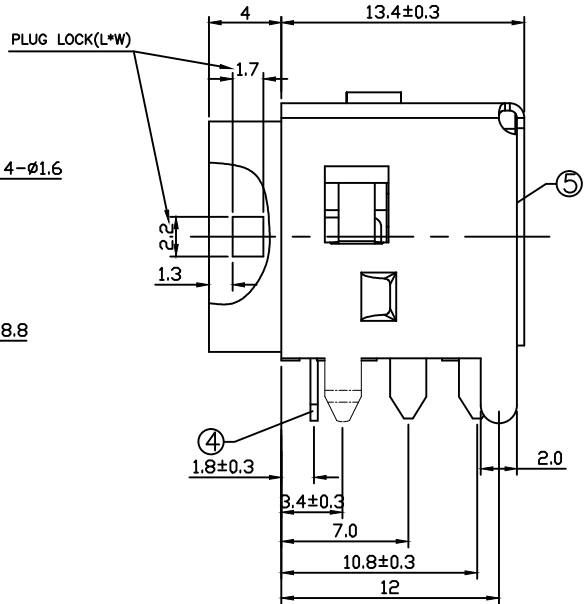
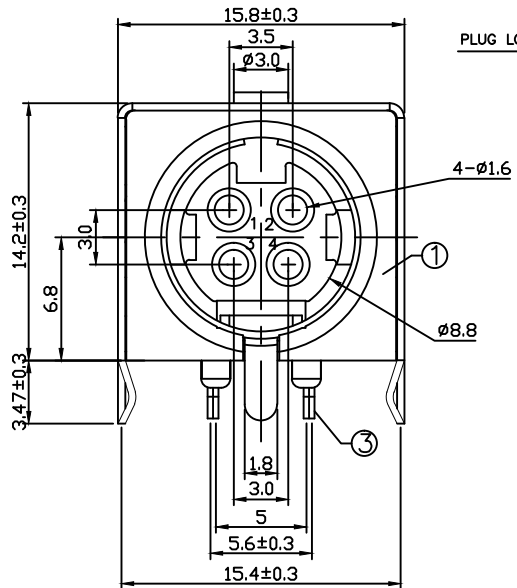


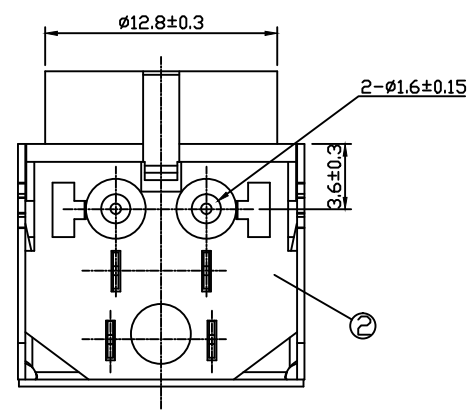
* RoHS COMPLIANT *

* REVISIONS

LTR	DESCRIPTION	DATE	REVISED	APPROVED



T:1.6 Dimensions of PC board holes
Tolerance : ±0.05(Printed-Top view)



5	COAT	1	SPCC	t=0.4	Cu/Sn PLATED
4	GROUND CONTACT	1	C2680	t=0.4	Cu/Sn PLATED
3	TERMINAL	4	C2680	t=0.3	Ag PLATED
2	COVER	1	PBT		UL-94V0(BLACK)
1	HOUSING	1	PBT		UL-94V0(BLACK)

LTR	PART NAME	QTY	MATERIAL	REMARK
DWN	LILY	DATE	2018.03.21	3RD ANGLE PROJECTION
CHKD	ANDY	DATE	2018.03.21	
APVD	JON	DATE	2018.03.21	UNIT: mm

UNLESS OTHERWISE SPECIFIED TOLERANCES	
DECIMALS:	ANGLES:
X ± 0.3	X ± 1°
X.X ± 0.2	X.X ± 0.5°
X.XX ± 0.1	
X.XXX ± 0.05	

JKCR Electronics Co., Ltd.				DWN.NO.	B-09038	002
----------------------------	--	--	--	---------	---------	-----

NAME	POWER JACK QUICK LOCK
CAT. NO.	MD-09038-4