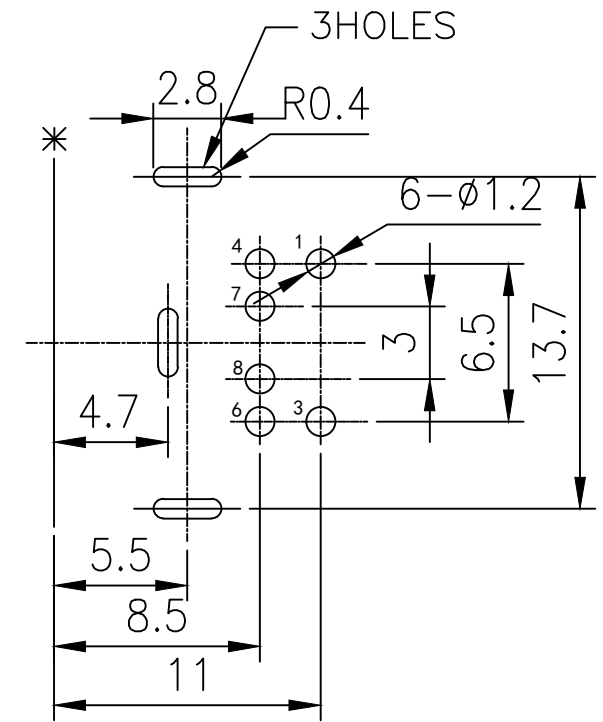
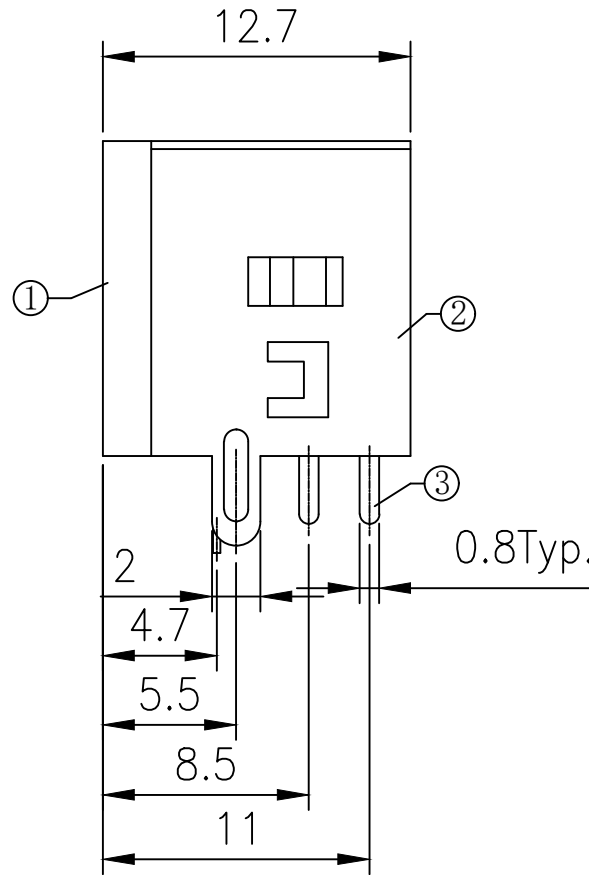
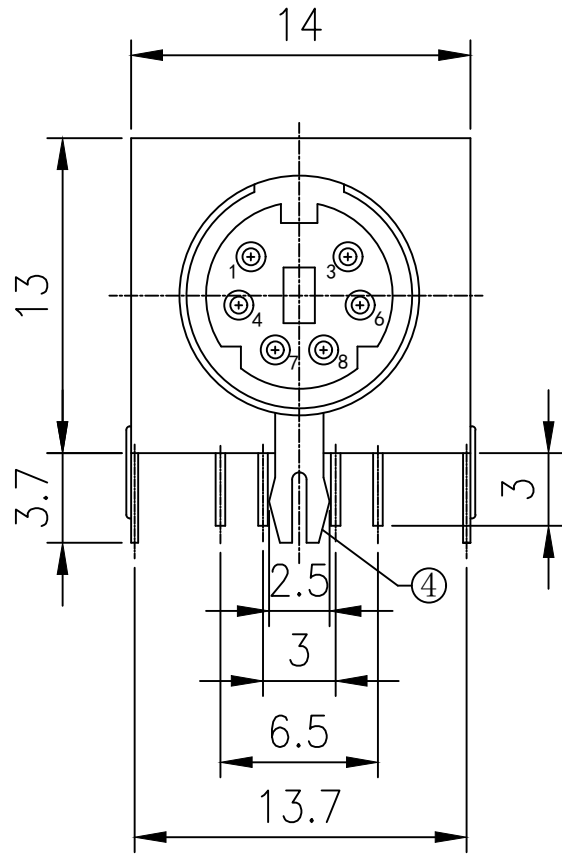
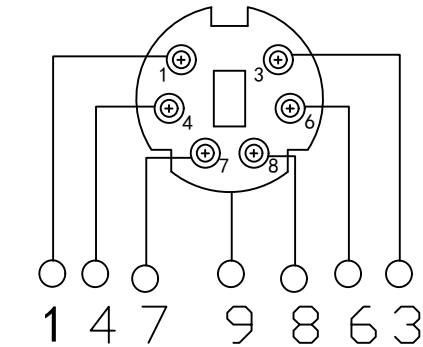


* RoHS COMPLIANT *

* REVISIONS				
LTR	DESCRIPTION	DATE	REVISED	APPROVED



T:1.6 Dimensions of PC board holes
Tolerance : ±0.05(Printed-Top view)



SCHEMATIC DIAGRAM

UNLESS OTHERWISE SPECIFIED, TOLERANCE ON DECIMAL: ±0.3

4	CONTACT FOOT	1	C2680	t=0.4	Cu/Sn PLATED
3	CONTACT FOOT	6	C5191	t=0.4	Ag PLATED
2	COAT	1	SPCC	t=0.5	Cu/Sn PLATED
1	HOUSING	1	PBT 4815		UL-94VO(BLACK)
LTR	PART NAME	QTY	MATERIAL	REMARK	
DWN	LILY	DATE	2013.05.19	3RD ANGLE PROJECTION	NAME
CHKD	ANDY	DATE	2013.05.19		S JACK
APVD	JON	DATE	2013.05.19		CAT. NO.
					MD-09030-6
JKCR Electronics Co., Ltd.					DWN.NO.
					B-09030
					001