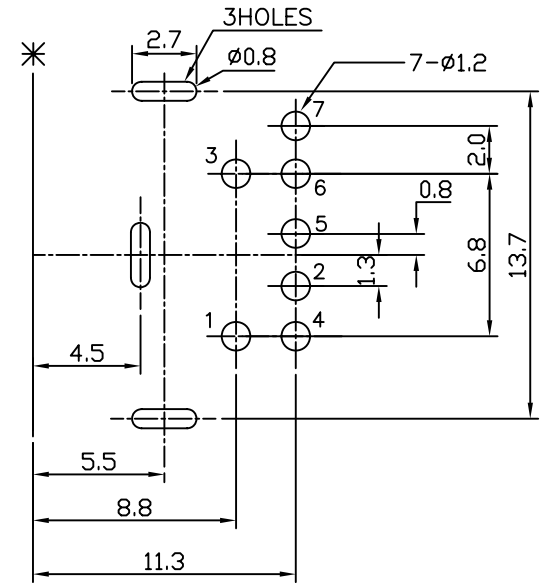
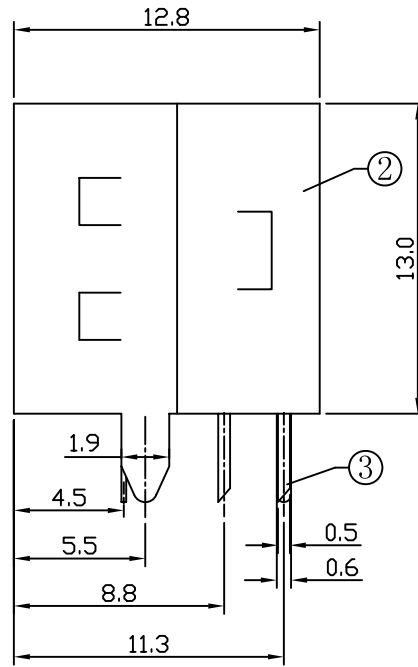
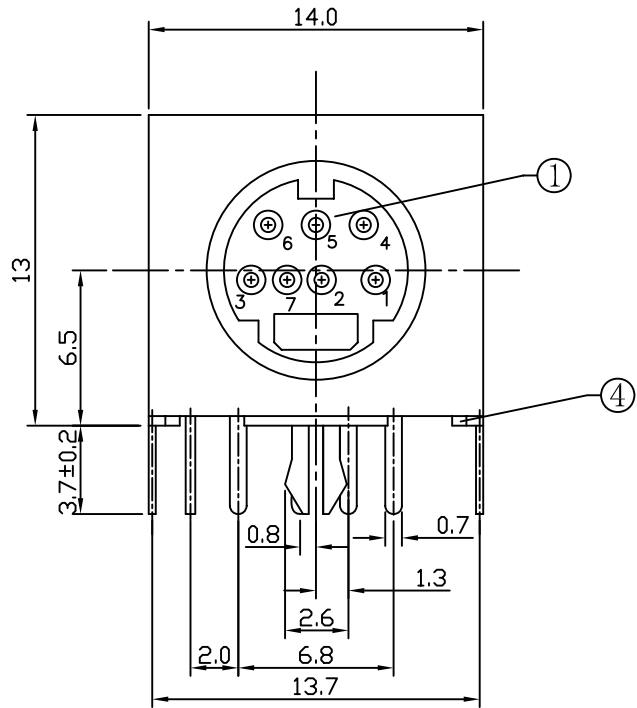
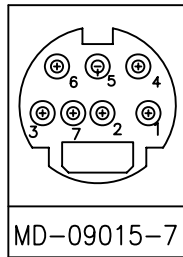


* REVISIONS				
LTR	DESCRIPTION	DATE	REVISED	APPROVED



T:1.6 Dimensions of PC board holes
Tolerance:±0.05(Printed-top view)



LEAD FREE

4	COVER	1	PBT 4815	UL-94V0(BLACK)
3	CONTACT FOOT	7	C5191	Ag PLATED
2	COAT	1	C2680	Cu/Sn PLATED
1	HOUSING	1	PBT 4815	UL-94V0(BLACK)
LTR	PART NAME	QTY	MATERIAL	REMARK
DWN	LILY	DATE	2013.04.26	3RD ANGLE PROJECTION NAME S JACK CAT. NO. MD-09015-7 DWN.NO. B-09015
CHKD	ANDY	DATE	2013.04.26	
APVD	JON	DATE	2013.04.26	
JKCR Electronics Co., Ltd.				001

UNLESS OTHERWISE SPECIFIED, TOLERANCE ON DECIMAL: ±0.3