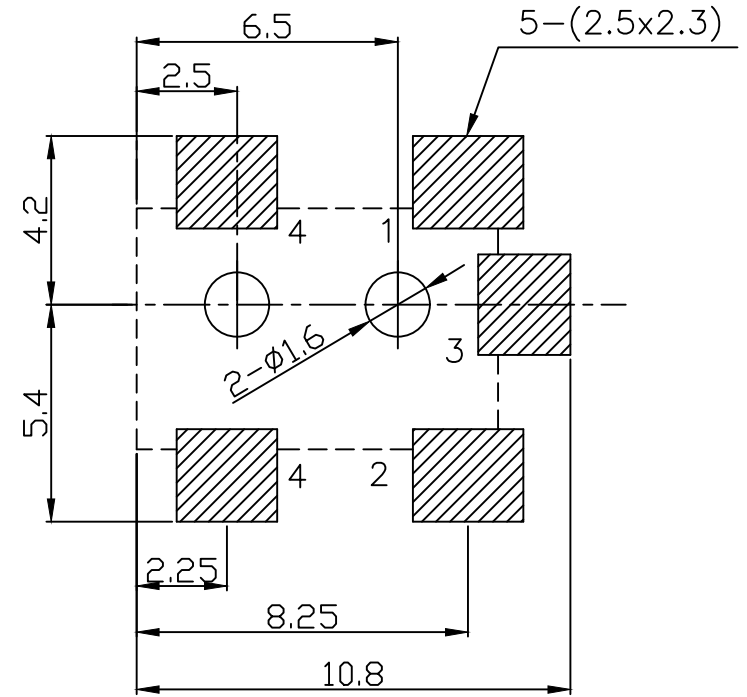
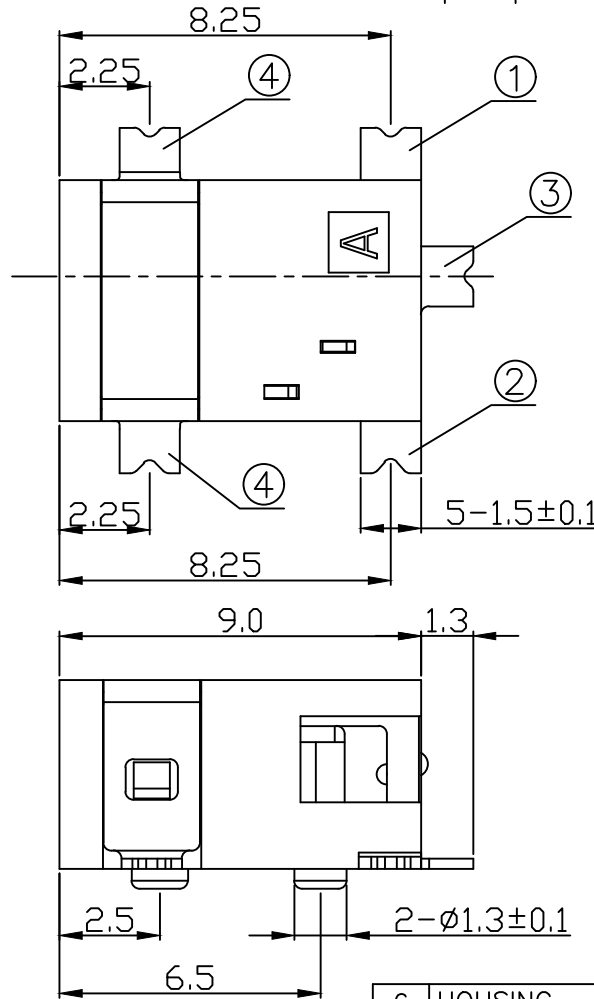
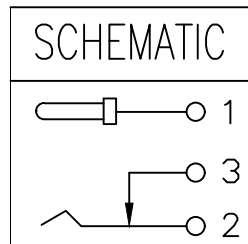
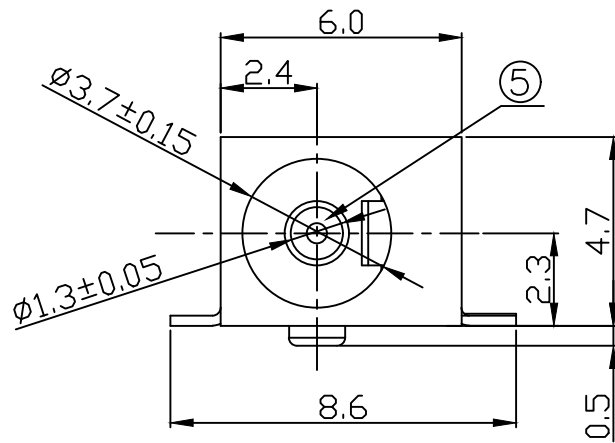
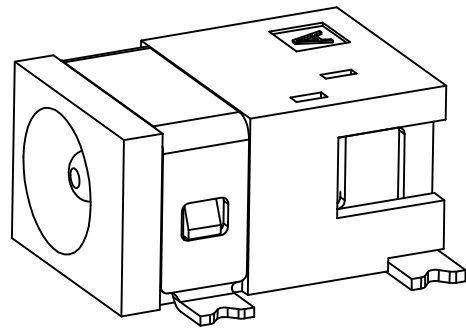


* RoHS COMPLIANT *

* REVISIONS				
LTR	DESCRIPTION	DATE	REVISED	APPROVED



T:1.6 Dimensions of PC board holes
Tolerance : ±0.05(Printed-top view)

6	HOUSING	1	PA9T	UL-94V0(BLACK)
5	PIN	1	H59(COPPER ALLOY)	Ni PLATED
4	TERMINAL 4#	1	C2680 t=0.25	Ag PLATED
3	TERMINAL 3#	1	C2680 t=0.25	Ag PLATED
2	TERMINAL 2#	1	C5191 t=0.30	Ag PLATED
1	TERMINAL 1#	1	C2680 t=0.25	Ag PLATED
LTR	PART NAME	QTY	MATERIAL	REMARK
DWN	LILY	DATE	2013.12.03	3RD ANGLE PROJECTION NAME DC POWER JACK CAT. NO. DCS-020-22B DWN.NO. A-020-22
CHKD	ANDY	DATE	2013.12.03	
APVD	JON	DATE	2013.12.03	
JKCR Electronics Co., Ltd.				001

UNLESS OTHERWISE SPECIFIED, TOLERANCE ON DECIMAL: ±0.2