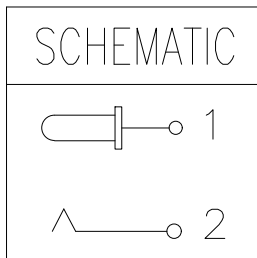
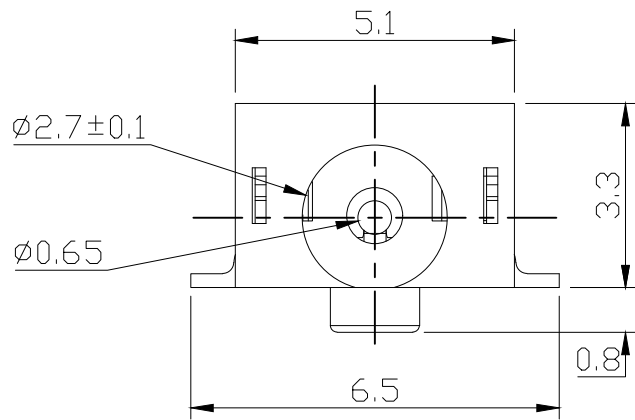
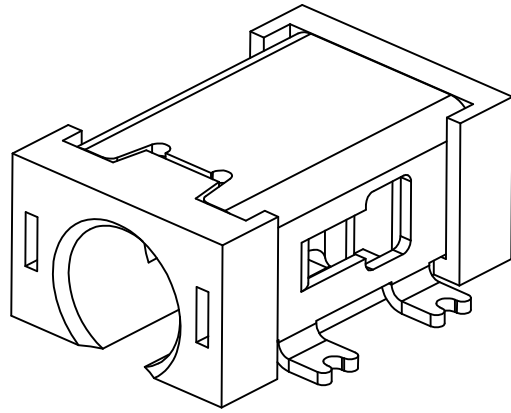
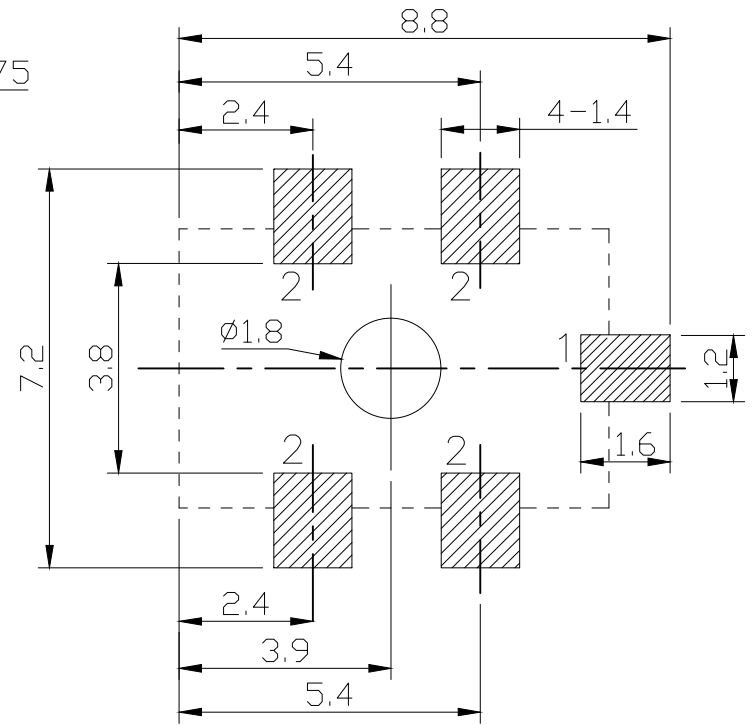
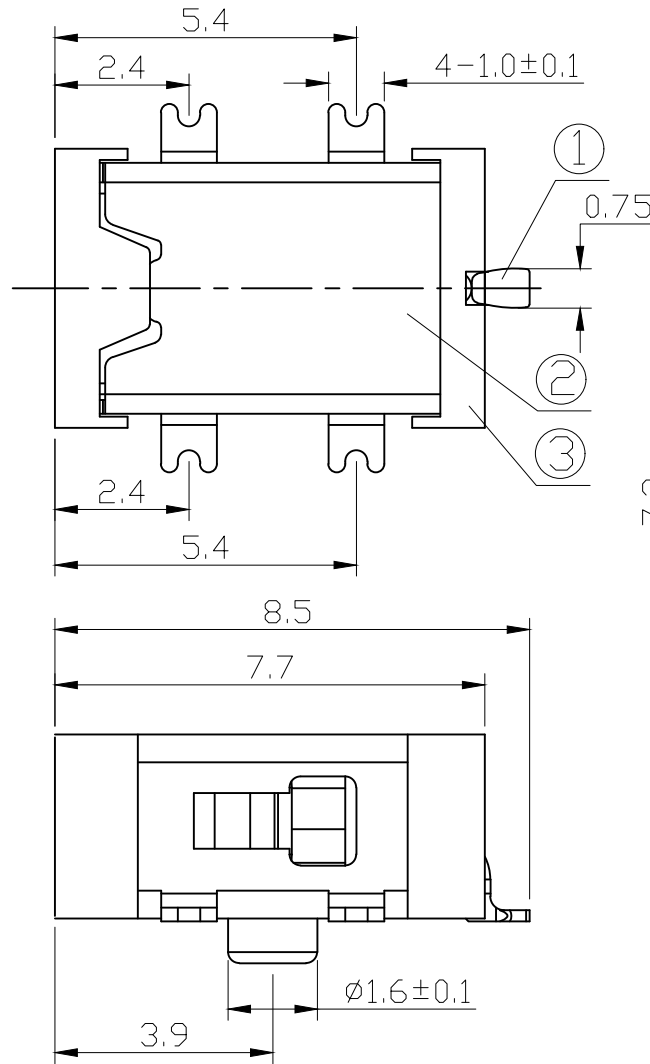


* RoHS COMPLIANT *



UNLESS OTHERWISE SPECIFIED, TOLERANCE ON DECIMAL: ± 0.2



T:1.6 Dimensions of PC board holes
Tolerance : ± 0.05 (Printed-top view)

3	HOUSING	1	PA9T	UL-94V0(BLACK)
2	TERMINAL 2#	1	C5191 t=0.25	Ag PLATED
1	TERMINAL 1#	1	H59(COPPER ALLOY)	Ag PLATED
LTR	PART NAME	QTY	MATERIAL	REMARK
DWN	LILY	DATE	2013.05.23	3RD ANGLE PROJECTION NAME DC POWER JACK CAT. NO. DCS-020-21 DWN.NO. A-020-21
CHKD	ANDY	DATE	2013.05.23	
APVD	JON	DATE	2013.05.23	
JKCR Electronics Co., Ltd.				001