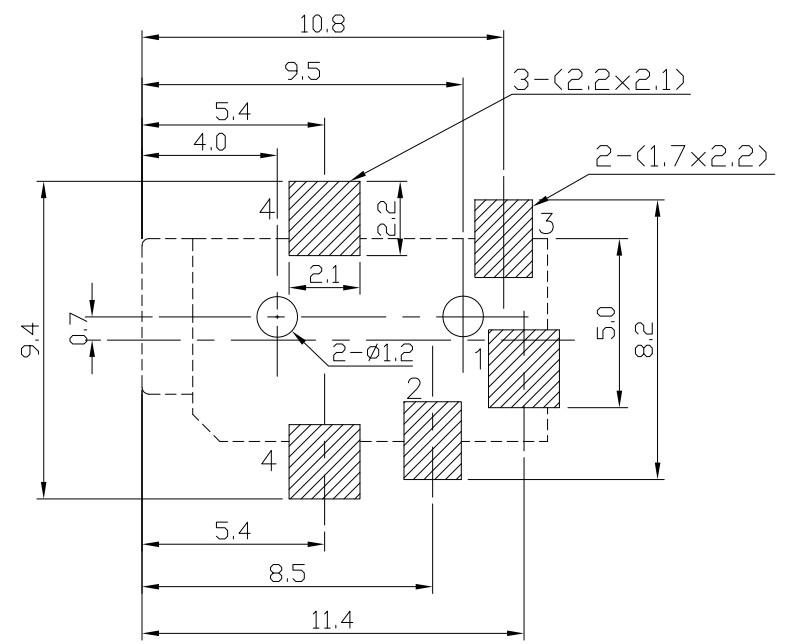
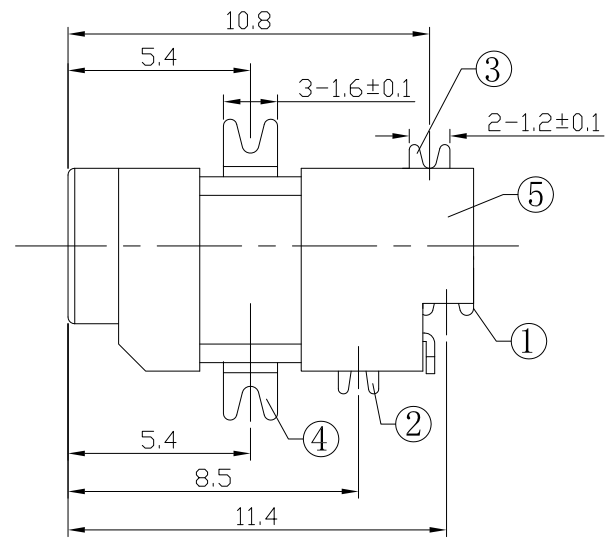
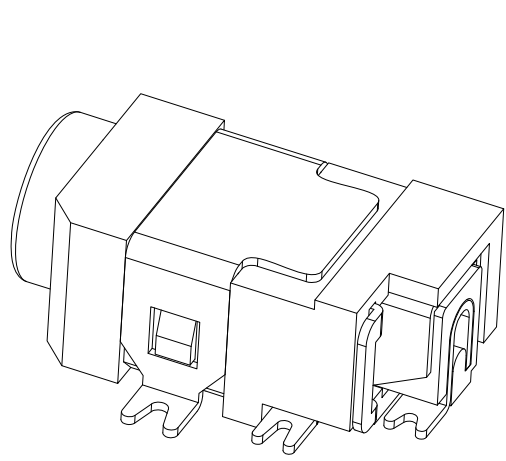
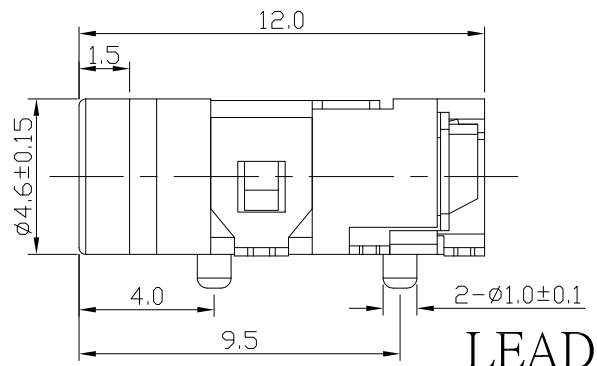
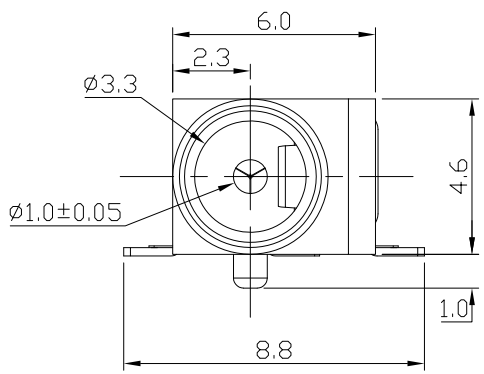


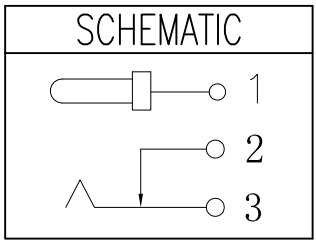
| * REVISIONS | | | | |
|-------------|-------------|------|---------|----------|
| LTR | DESCRIPTION | DATE | REVISED | APPROVED |
| | | | | |



T:1.6 Dimensions of PC board holes
Tolerance : ±0.05(Printed-top view)



LEAD FREE



| 5 | HOUSING | 1 | PA9T | UL-94V0(BLACK) |
|----------------------------|--------------|------|--------------|---|
| 4 | PIN | 1 | C5191 t=0.25 | Ag PLATED |
| 3 | SPRING PIECE | 1 | C5191 t=0.25 | Ag PLATED |
| 2 | CURVE PIECE | 1 | C5191 t=0.25 | Ag PLATED |
| 1 | CONTACT FOOT | 1 | C2680 t=0.25 | Ag PLATED |
| LTR | PART NAME | QTY | MATERIAL | REMARK |
| DWN | LILY | DATE | 2013.09.23 | 3RD ANGLE PROJECTION NAME DC POWER JACK |
| CHKD | ANDY | DATE | 2013.09.23 | |
| APVD | JON | DATE | 2013.09.23 | |
| UNIT: mm | | | | CAT. NO. DCS-020-11A |
| JKCR Electronics Co., Ltd. | | | | DWN.NO. A-020-11 |
| | | | | 001 |

UNLESS OTHERWISE SPECIFIED, TOLERANCE ON DECIMAL:±0.2