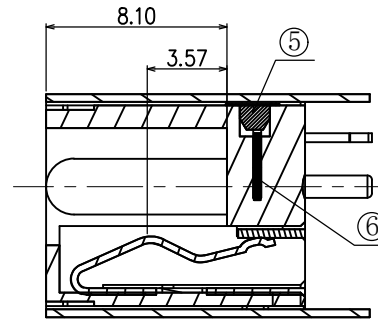
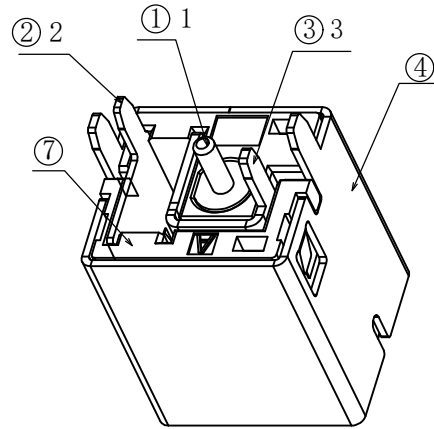
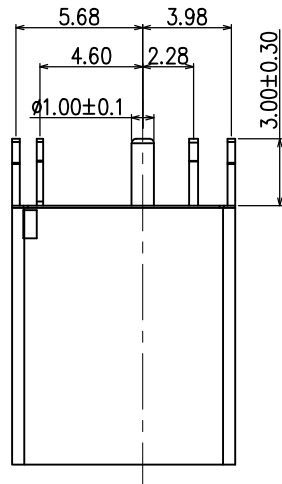


* RoHS COMPLIANT *

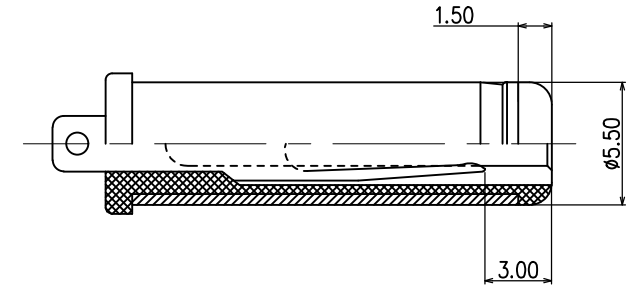
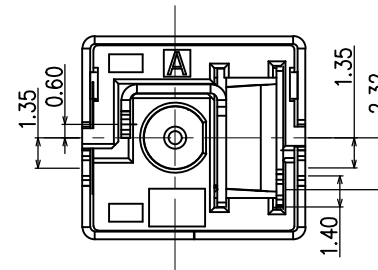
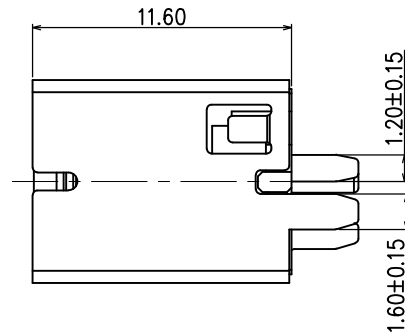
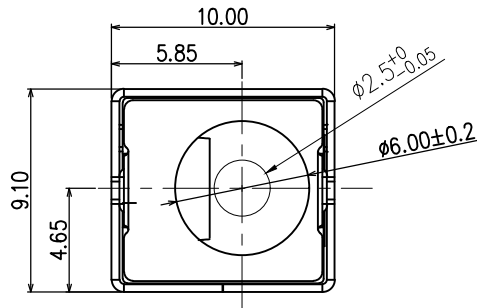
* REVISIONS

LTR	DESCRIPTION	DATE	REVISED	APPROVED



NOTE :

- 1.RATING:SEE TABLE 1
- 2.INSERTION FORCE:2.94~29.4N(0.3~3Kgf)
WITHDRAWAL FORCE:2.94~29.4N(0.3~3Kgf)
- 3.INSULATION RESISTANCE BETWEEN ANY ADJACENT TERMINAL SHALL NOT BE LESS THAN 100MΩ BY 500 VOLTS MEGGER
- 4.JACK SHALL WITHSTAND 500 VOLTS BETWEEN ANY ADJACENT TERMINAL FOR ONE MINUTE
- 5.CONTACT RESISTANCE SHALL NOT EXCEED 0.03Ω
- 6.JACK SHALL WITHSTAND 5.000 CYCLES OF INSERTION AND WITHDRAWAL WITH TESTING PLUG. AND CONTACT RESISTANCE SHALL NOT EXCEED 0.06Ω
- 7.MEASURING CONDITION:
TEMPERATURE:FROM 15° TO 35°
RELATIVE HUMIDITY FROM 40% TO 80%
- 8.FOR 260° 10SEC WAVE SOLDERING LEAD-FREE PROCESS

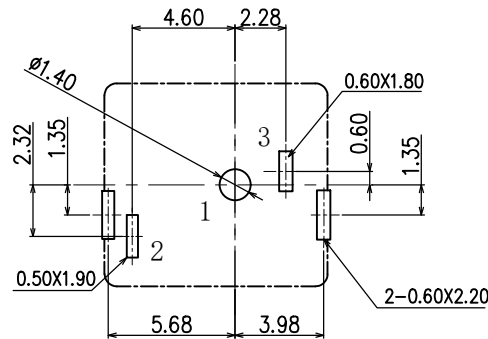


MATE PLUG

"TABLE 1"

RATING	
DC	24V 5A

CAT. NO.	PIN	SCHEMATIC
DCD-020-75MA	φ2.0	
DCD-020-75MB	φ2.5	
DCD-020-75MC	φ2.35	
DCD-020-75MD	φ1.65	



T:1.6 Dimensions of PC board holes
Tolerance : ±0.05(Printed-top view)

7	HOUSING	1	PA9T	UL-94V0(BLACK)
6	KNOB	1	PA9T	UL-94V0(BLACK)
5	FIXATE PIECE	1	SPCC t=0.30	Sn PLATED
4	COAT	1	C2680 t=0.35	Sn PLATED
3	CURVE PIECE	1	C2680 t=0.40	Ag PLATED
2	SPRING PIECE	1	C5191 t=0.30	Ag PLATED
1	PIN	1	H59(COPPER ALLOY)	Ag PLATED

LTR	PART NAME	QTY	MATERIAL	REMARK
DWN	LILY	DATE	2016.12.27	3RD ANGLE PROJECTION NAME DC POWER JACK CAT. NO. DCD-020-75 DWN.NO. A-020-75
CHKD	ANDY	DATE	2016.12.27	
APVD	JON	DATE	2016.12.27	
UNIT: mm				001

JKCR Electronics Co., Ltd.

UNLESS OTHERWISE SPECIFIED, TOLERANCE ON DECIMAL: ±0.3