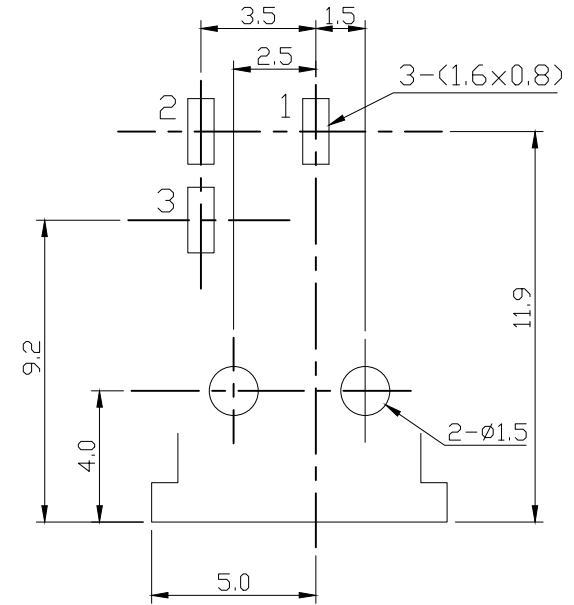
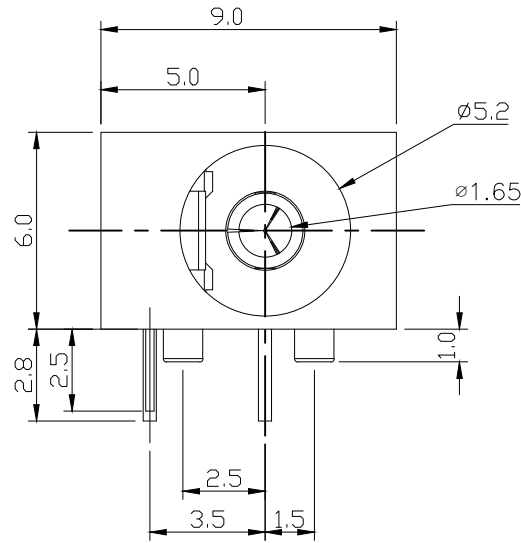
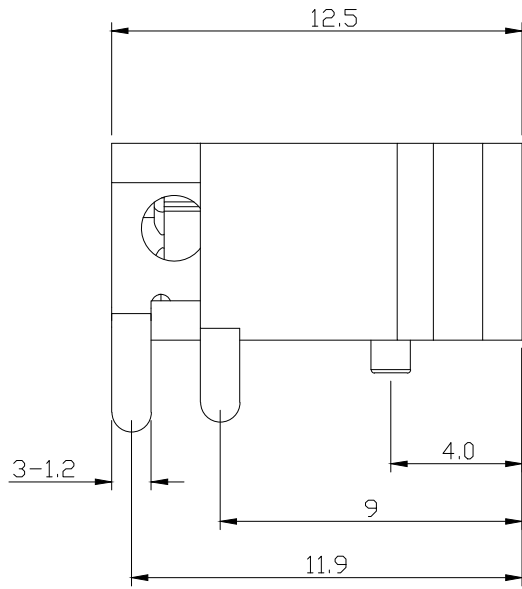
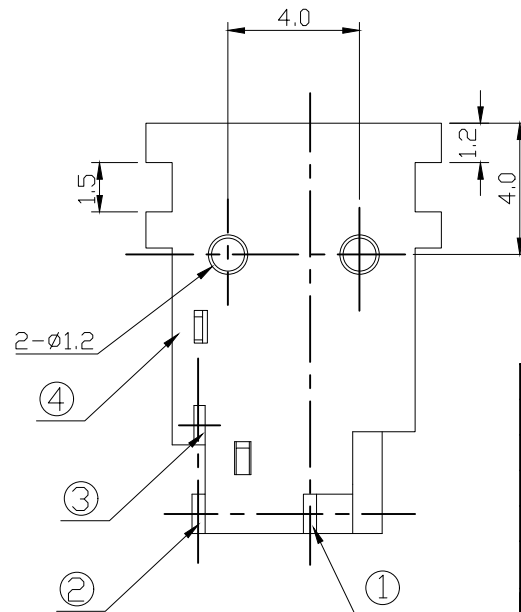
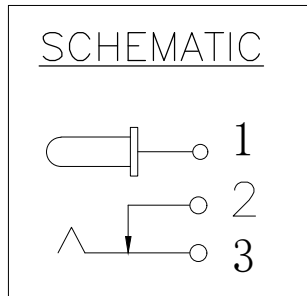


* RoHS COMPLIANT *

		* REVISIONS		
LTR	DESCRIPTION	DATE	REVISED	APPROVED



T:1.6 Dimensions of PC board holes
Tolerance : ± 0.05 (Printed-top view)



UNLESS OTHERWISE SPECIFIED, TOLERANCE ON DECIMAL: ± 0.2

4	HOUSING	1	PA66	BLACK
3	TERMINAL	1	C5191 t=0.25	Ag PLATED
2	TERMINAL	1	C2680 t=0.40	Ag PLATED
1	TERMINAL	1	C2680 t=0.40	Ag PLATED
LTR	PART NAME	QTY	MATERIAL	REMARK
DWN	LILY	DATE	2014.03.20	3RD ANGLE PROJECTION
CHKD	ANDY	DATE	2014.03.20	
APVD	JON	DATE	2014.03.20	UNIT: mm
JKCR Electronics Co., Ltd.				NAME DC POWER JACK
				CAT. NO. DCD-020-69
				DWN.NO. A-020-69
				001