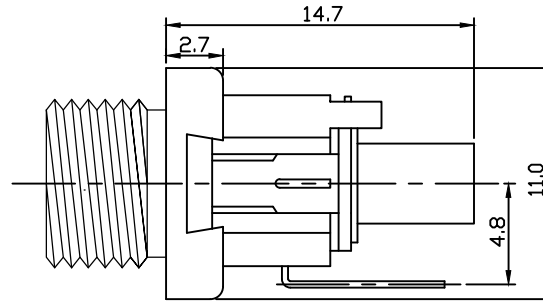
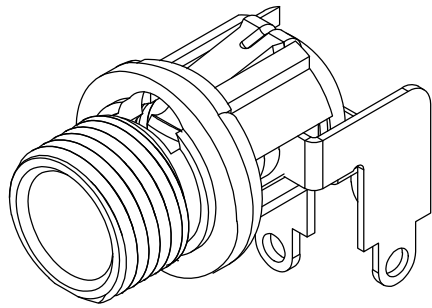
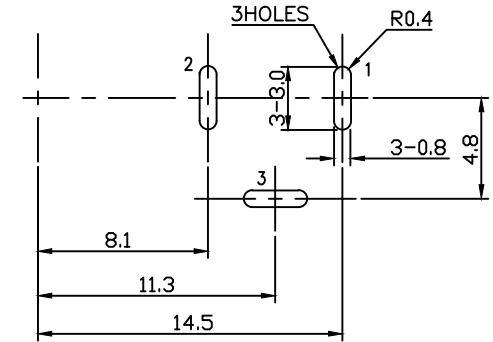
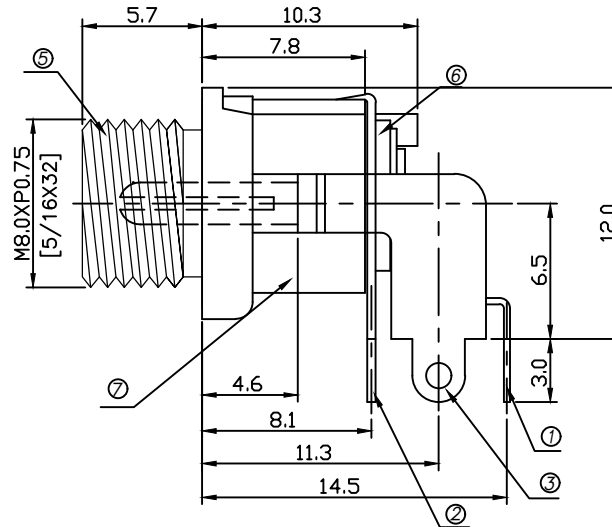
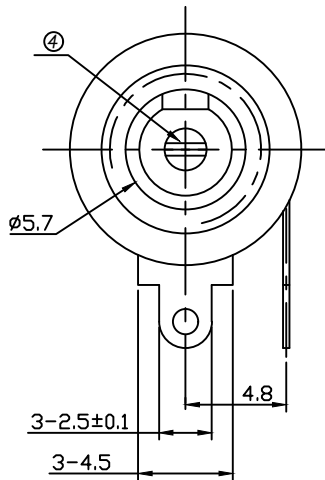


\* RoHS COMPLIANT \*

* REVISIONS				
LTR	DESCRIPTION	DATE	REVISED	APPROVED

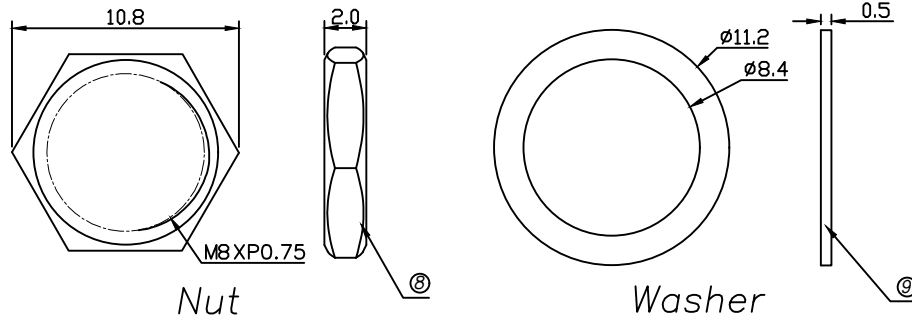


CAT NO.	PIN	SCHEMATIC
DCD-020-66MA	Ø2.0	
DCD-020-66MB	Ø2.5	



T:1.6 Dimensions of PC board holes  
Tolerance : ±0.05(Printed-Top view)

LEAD FREE



UNLESS OTHERWISE SPECIFIED, TOLERANCE ON DECIMAL: ±0.3

9	WASHER	1	H59(COPPER ALLOY)	Ni PLATED
8	NUT	1	H59(COPPER ALLOY)	Ni PLATED
7	HOUSING	1	PBT 4815	UL-94V0(BLACK)
6	INSULATOR	2	PF	
5	AXIS SUPPORT	1	H59(COPPER ALLOY)	Ni PLATED
4	PIN	1	H59(COPPER ALLOY)	Ni PLATED
3	SHUNT TERMIANL	1	C2680	Sn PLATED
2	TIP SPRING	1	C5191	Sn PLATED
1	CENTER PIN TERMINAL	1	C2680	Sn PLATED

LTR	PART NAME	QTY	MATERIAL	REMARK
DWN	LILY	DATE	2015.11.23	NAME DC POWER JACK CAT. NO. DCD-020-66M
CHKD	ANDY	DATE	2015.11.23	
APVD	JON	DATE	2015.11.23	

JKCR Electronics Co., Ltd.

DWN.NO.  
F-020-66 003