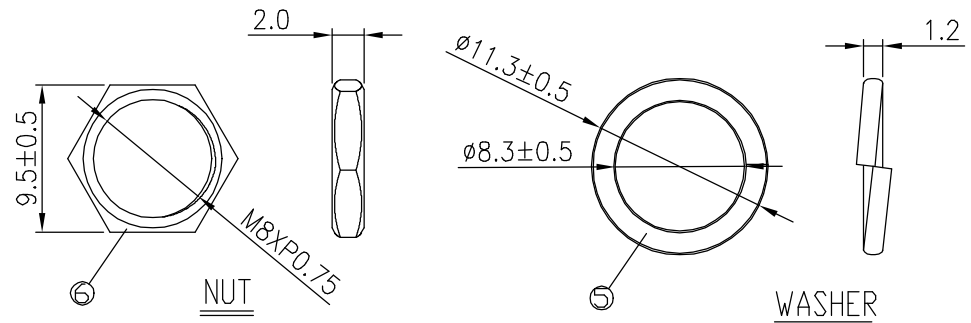
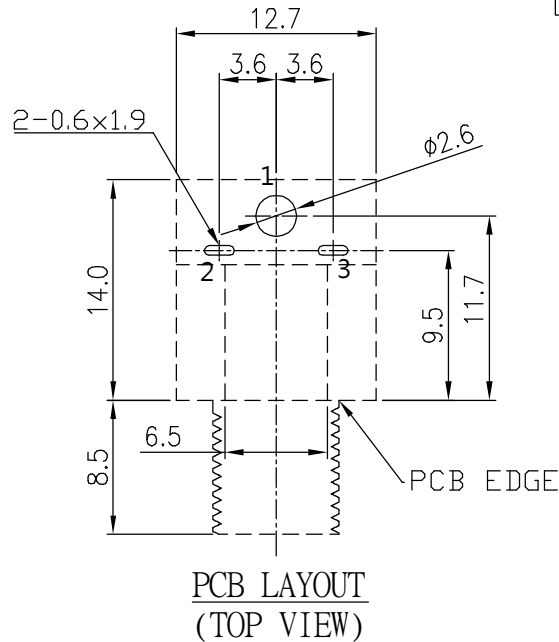
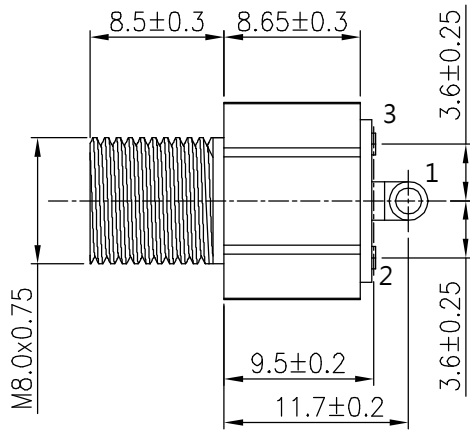
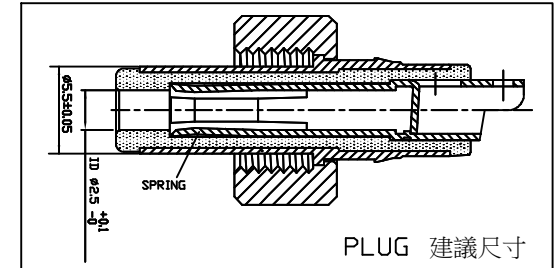
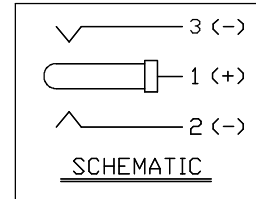
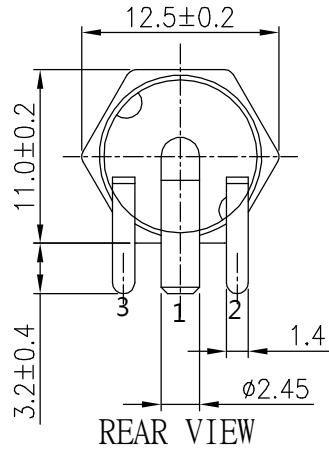
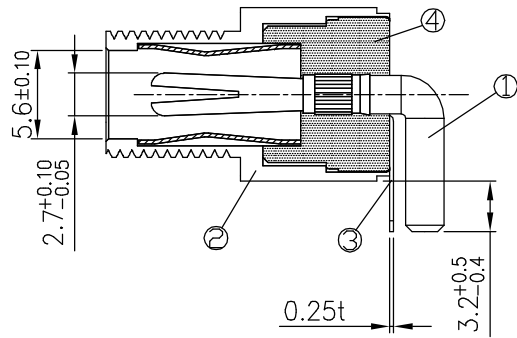


* RoHS COMPLIANT *



6	NUT	1	H59(COPPER ALLOY)	Cu/Sn PLATED
5	WASHER	1	H59(COPPER ALLOY)	Cu/Sn PLATED
4	DIELECTRIC	1	PBT	BLACK
3	TERMINAL	1	C5191	Ag PLATED
2	SLEEVE	1	Hpb59-1(C3604)	Cu/Sn PLATED
1	PIN	1	Phosphor Bronze	Ag PLATED
LTR	PART NAME	QTY	MATERIAL	REMARK

UNLESS OTHERWISE SPECIFIED TOLERANCES		DATE		DATE		DATE		3RD ANGLE PROJECTION	NAME
DWN	LILY	2021.08.06	2021.08.06	2021.08.06	2021.08.06	UNIT: mm	DC POWER JACK		
CHKD	ANDY	2021.08.06	2021.08.06	2021.08.06	2021.08.06		CAT. NO. DCD-020-105J3B		
APVD	JON	2021.08.06	2021.08.06	2021.08.06	2021.08.06		DWN.NO. B-020-105		
JKCR Electronics Co., Ltd.								002	

DECIMALS:		ANGLES:	
X	± 0.3	X	± 1°
X.X	± 0.2	X.X	± 0.5°
X.XX	± 0.1		
X.XXX	± 0.05		

* REVISIONS				
LTR	DESCRIPTION	DATE	REVISED	APPROVED

1. Dielectric strength: AC 500V/1 minute
2. Insulation resistance : 100MΩ or over. (DC 500V)
3. Contact resistance : 30mΩ or less