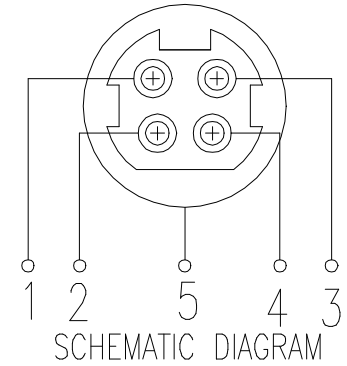
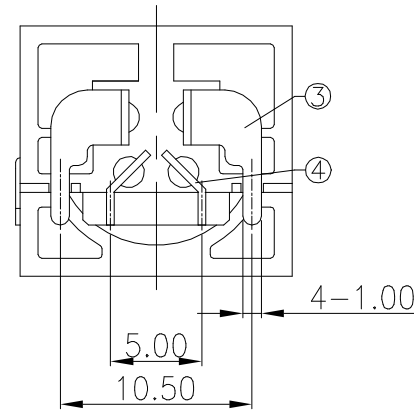
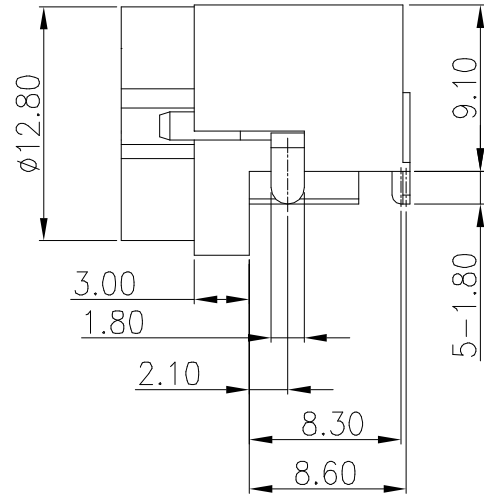
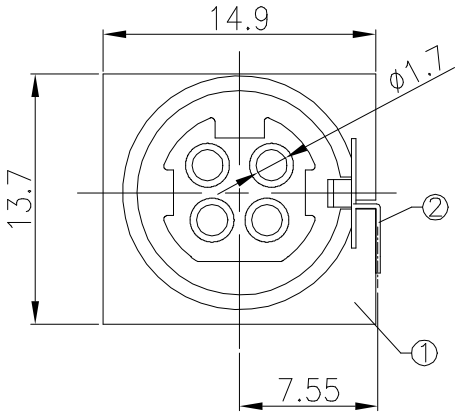
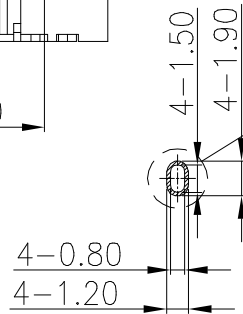
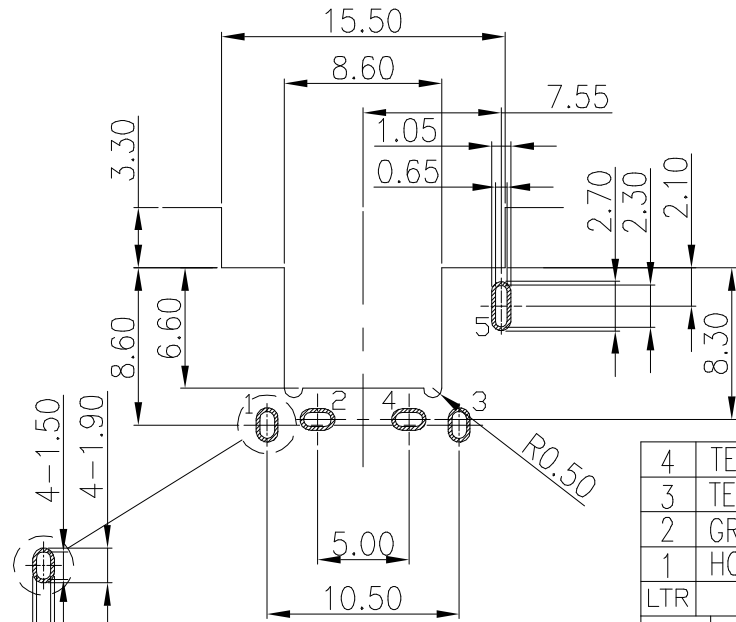
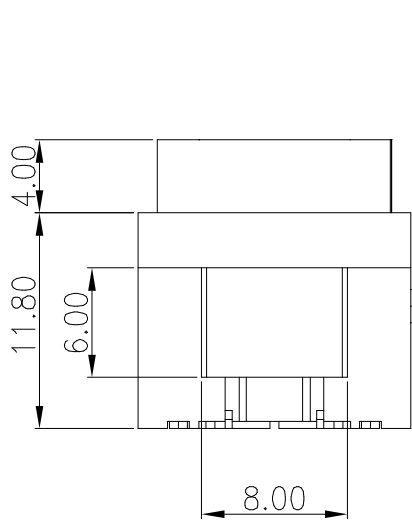


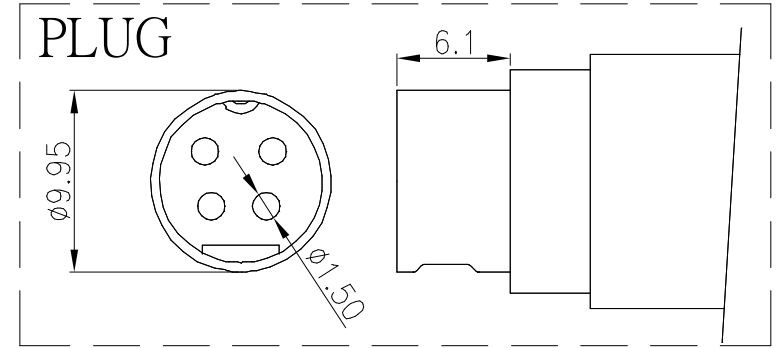
* RoHS COMPLIANT *



CAT NO.	COLOR
MD-09068A-4	BLACK
MD-09068A-4BL	BLUE



T:1.6 Dimensions of PC board holes
Tolerance : ±0.05(Printed-Bottom view)



LTR	PART NAME		QTY	MATERIAL	REMARK
4	TERMINAL	2	C2680	t=0.4	Ag PLATED
3	TERMINAL	2	C2680	t=0.4	Ag PLATED
2	GROUND CONTACT	1	C5191	t=0.25	Cu/Sn PLATED
1	HOUSING	1	PA9T		UL-94V0
DWN	LILY	DATE	2022.01.16	3RD ANGLE PROJECTION	NAME POWER JACK QUICK LOCK
CHKD	ANDY	DATE	2022.01.16	UNIT: mm	CAT. NO. MD-09068A-4
APVD	JON	DATE	2022.01.16		DWN.NO. M-09068
JKCR Electronics Co., Ltd.					003

UNLESS OTHERWISE SPECIFIED, TOLERANCE ON DECIMAL: ±0.3

* REVISIONS				
LTR	DESCRIPTION	DATE	REVISED	APPROVED