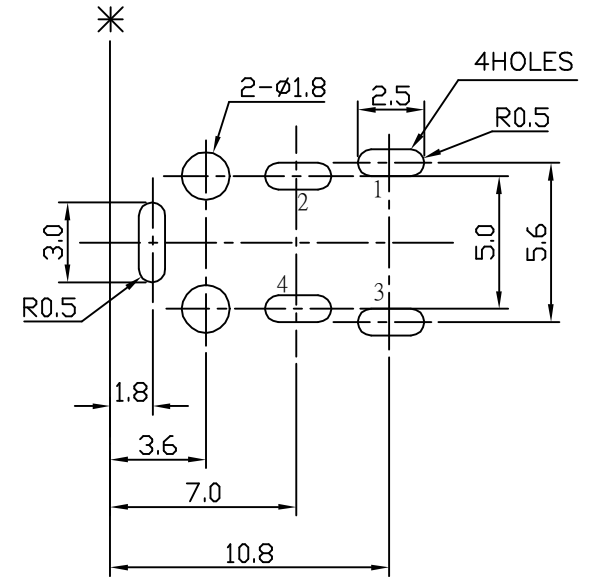
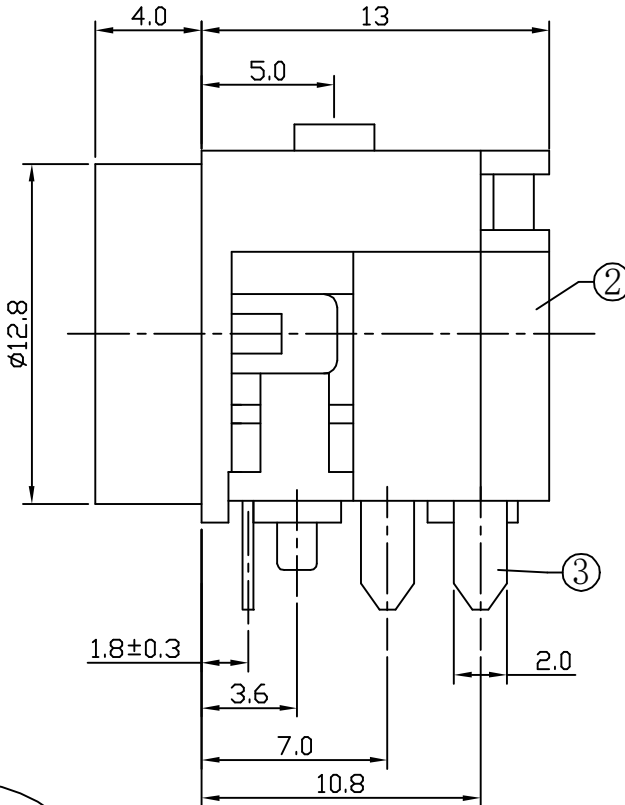
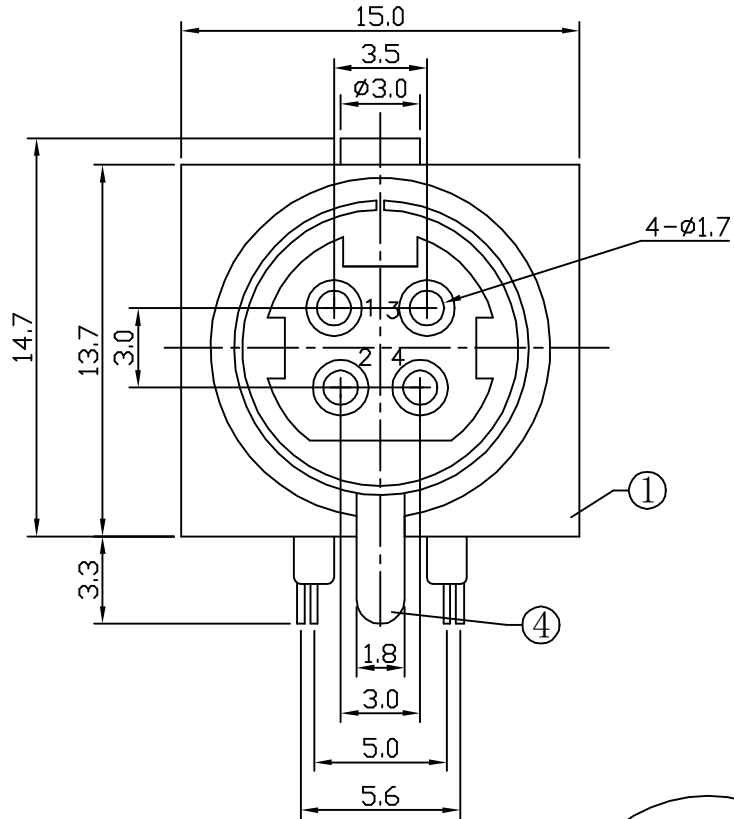


* RoHS COMPLIANT *

* REVISIONS

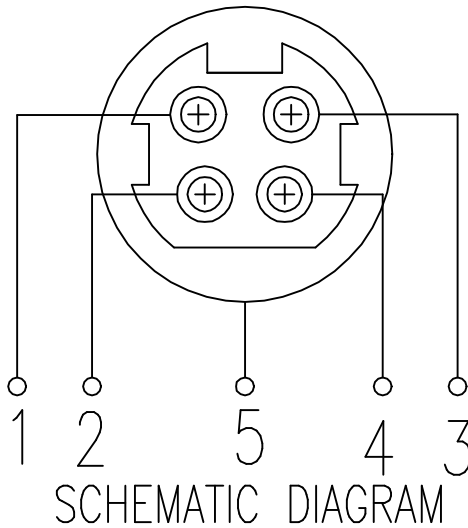
LTR	DESCRIPTION	DATE	REVISED	APPROVED



T:1.6 Dimensions of PC board holes

Tolerance : ±0.05(Printed-Top view)

MODEL NO.	COLOR OF HOUSING
MD-09038A-4-19	BLACK
MD-09038A-4BL-19	BLUE
MD-09038A-4NA-19	NATURE



4	GROUND CONTACT	1	C2680	t=0.4	Cu/Sn PLATED
3	TERMINAL	4	C2680	t=0.3	Ag PLATED
2	COAT	1	PBT 4815		UL-94V0(BLACK)
1	HOUSING	1	PBT 4815		UL-94V0(BLACK)
LTR	PART NAME	QTY	MATERIAL	REMARK	

DWN	LILY	DATE	2019.12.27	3RD ANGLE PROJECTION	NAME	POWER JACK QUICK LOCK
CHKD	ANDY	DATE	2019.12.27		CAT. NO.	MD-09038A-4-19
APVD	JON	DATE	2019.12.27	UNIT: mm		

JKCR Electronics Co., Ltd.

DWN.NO. B-09038A 002

UNLESS OTHERWISE SPECIFIED, TOLERANCE ON DECIMAL: ±0.3