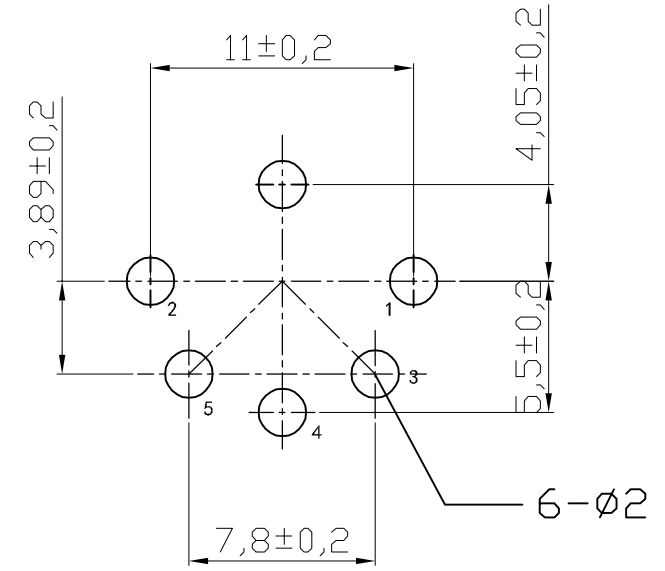
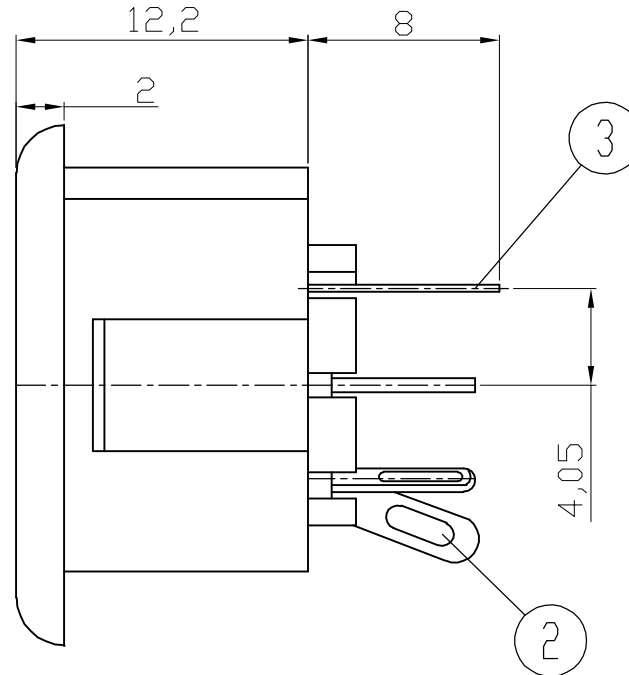
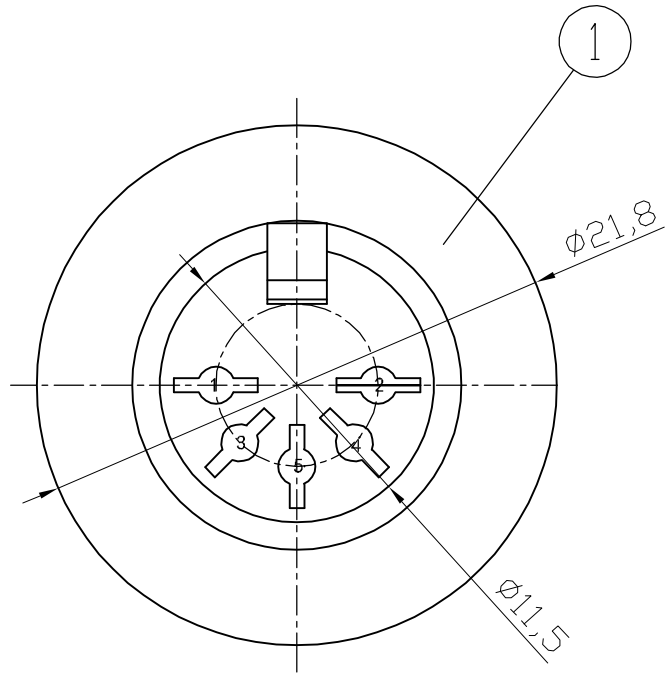


\* RoHS COMPLIANT \*

* REVISIONS				
LTR	DESCRIPTION	DATE	REVISED	APPROVED



3	CONTACT FOOT	1	Phosphor bronze 0.3T	Sn/Cu	PLATED	
2	TERMINAL	5	Phosphor bronze 0.6T	Ag	PLATED	
1	HOUSING	1	PBT	UL94V-0(BLACK)		
LTR	PART NAME	QTY	MATERIAL	REMARK		
DWN	LILY	DATE	2020.02.20	3RD ANGLE PROJECTION	NAME	
CHKD	ANDY	DATE	2020.02.20		CAT. NO.	
APVD	JON	DATE	2020.02.20		UNIT: mm	
JKCR Electronics Co., Ltd.					DWN.NO.	B-09073
						002

UNLESS OTHERWISE SPECIFIED, TOLERANCE ON DECIMAL: ±0.3