

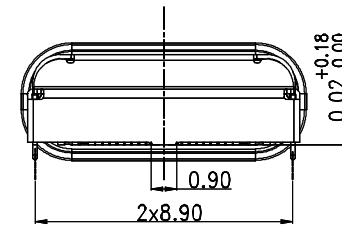
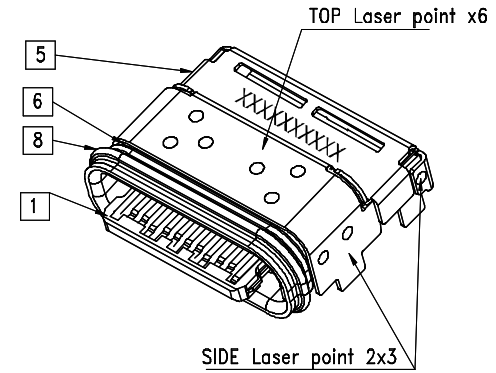
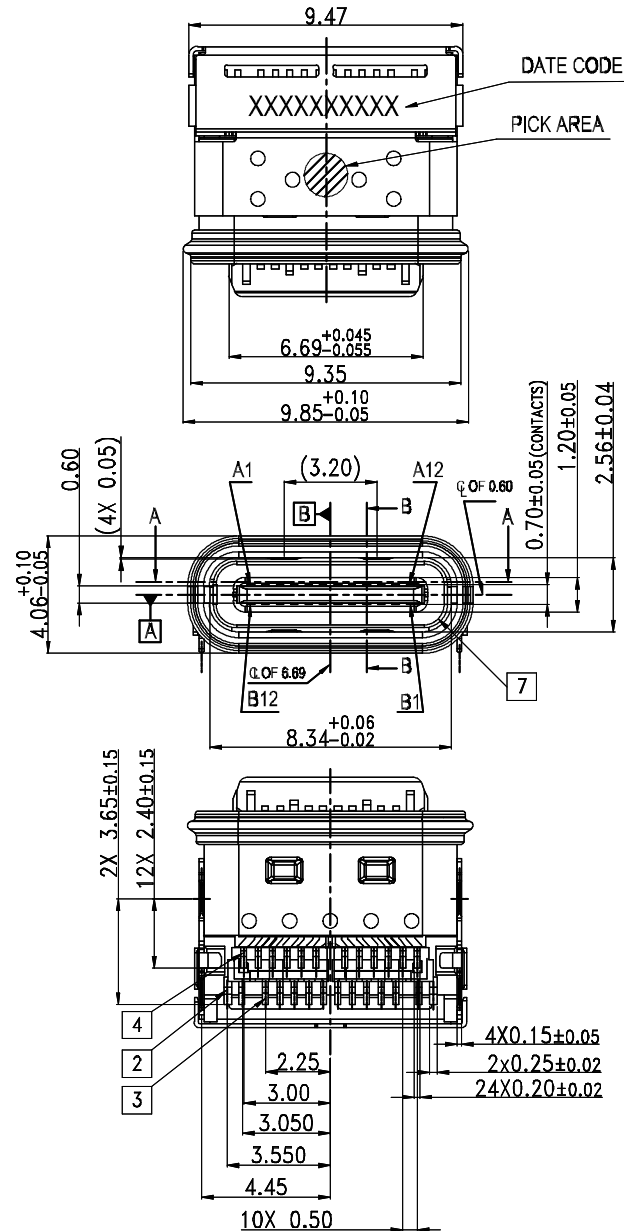
* RoHS COMPLIANT *

* REVISIONS

LTR	DESCRIPTION	DATE	REVISED	APPROVED
-----	-------------	------	---------	----------

NOTES:

- 1.MATERIAL :SEE TABLE
- 2.COPLANARITY : 0.10 Max.
- 3.ELECTRICAL CHARACTERISTICS
 LOW LEVEL CONTACT RESISTANCE: 40 MΩ Max
 INSULATION RESISTANCE:100MΩ MIN
 DIELECTRIC WITHSTANDING VOLTAGE:100 VAC:
 CONTACT CURRENT RATING:5A Max
- 4.MECHANICAL CHARACTERISTICS
 INSERTION FORCE: 5~20N
 EXTRACTION FORCE: 8~20N
 AFTER DURABILITY EXTRACTION FORCE: 6~20N
- 5.DURABILITY: 10000 CYCLES
- 6.PACKAGING TYPE: CARRIER TAPE.
- 7.MATERIAL SHOULD BE FULLFILLED AMPHENOL SPEC# SSN002 AND CUSTOMER REQUIREMENTS, FOR HALOGEN FREE PRODUCTS, ALSO NEED TO MEET SSN004

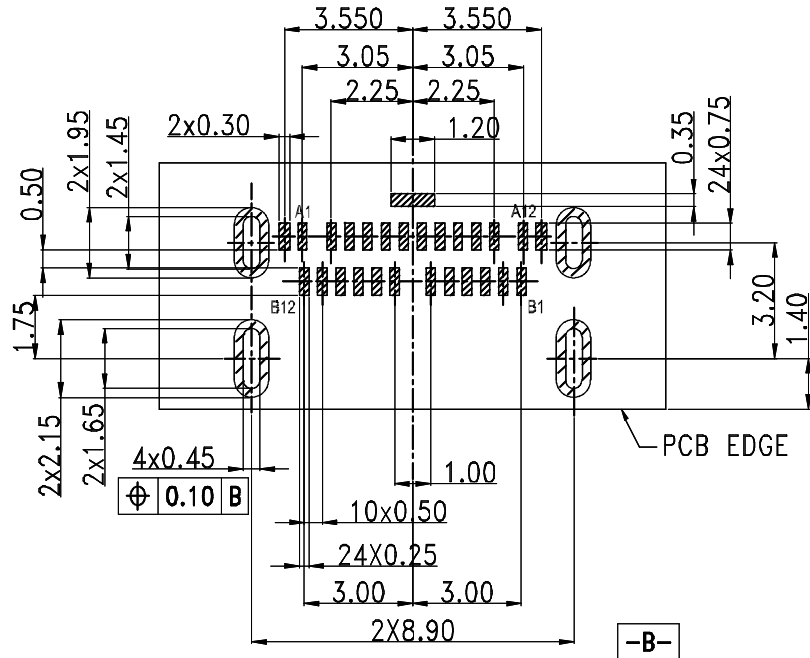


UNLESS OTHERWISE SPECIFIED, TOLERANCE ON DECIMAL: ±0.3

ITEM	DESCRIPTION	Q'TY	MATERIAL	FINISH	
8	LIM	1	CHN-LIMS-60-A/B	BLACK	
7	SMALL SHELL	1	SUS304-1/2H	NICKEL: 50U" MIN	
6	MAIN SHELL	1	SUS304-1/2H	CLEAN	
5	SUB-SHELL	1	SUS304-1/2H	SOLDER NICKEL: 50U" MIN	
4	TOP TERMINAL	1	NKE012-EH	MATING SIDE: Au30u"MIN; INCLUDING SIDE AND BOTTOM SIDE: Au3u"MIN; SOLDER TAIL: Au3~8u", 80-150u" NICKEL OVERALL.	
3	BOTTOM TERMINAL	1	NKE012-EH	MATING SIDE: Au30u"MIN; INCLUDING SIDE AND BOTTOM SIDE: Au3u"MIN; SOLDER TAIL: Au3~8u", 80-150u" NICKEL OVERALL.	
2	MID PLATE	1	SUS301-H	SOLDER NICKEL: 50U" MIN	
1	MAIN HOUSING	1	PA46 HFX31S	BLACK	
DWN	LILY	DATE	2020.10.30	3RD ANGLE PROJECTION NAME USB C TYPE/F TOP MOUNT (WATERPROOF) CAT. NO. JCU-JDR-USCF053-S008	
CHKD	ANDY	DATE	2020.10.30		
APVD	JON	DATE	2020.10.30		
JKCR Electronics Co., Ltd.				DWN.NO. KQ-JDR-USCF053-S008	001

* RoHS COMPLIANT *

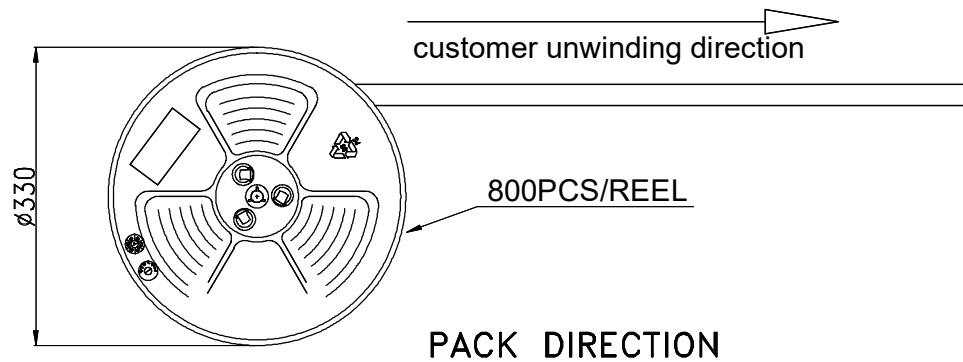
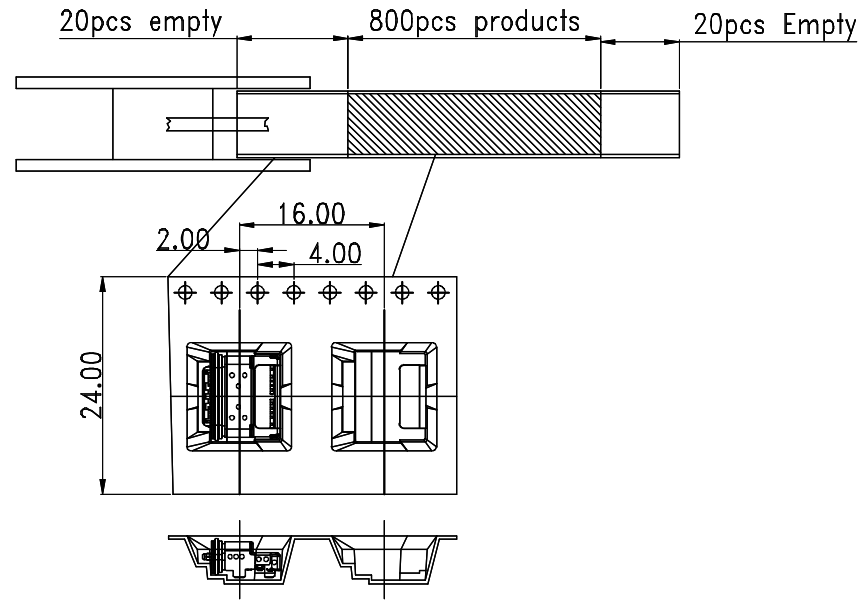
* REVISIONS				
LTR	DESCRIPTION	DATE	REVISED	APPROVED



RECOMMENDED PCB LAYOUT
(Tolerance=±0.05)

Pin No	Signal Name	Mating Sequence	Pin No	Signal Name	Mating Sequence
A1	GND	First	B12	GND	First
A2	TX1+	Second	B11	RX1+	Second
A3	TX1-	Second	B10	RX1-	Second
A4	Vbus	First	B9	Vbus	First
A5	CC1	Second	B8	SBU2	Second
A6	D+	Second	B7	D-	Second
A7	D-	Second	B6	D+	Second
A8	SBU1	Second	B5	CC2	Second
A9	Vbus	First	B4	Vbus	First
A10	RX2-	Second	B3	TX2-	Second
A11	RX2+	Second	B2	TX2+	Second
A12	GND	First	B1	GND	First
SHELL	GND		SHELL	GND	

UNLESS OTHERWISE SPECIFIED, TOLERANCE ON DECIMAL: ±0.3



DWN	LILY	DATE	2020.10.30	3RD ANGLE PROJECTION	NAME	USB C TYPE/F TOP MOUNT (WATERPROOF)
CHKD	ANDY	DATE	2020.10.30		CAT. NO.	JCU-JDR-USCF053-S008
APVD	JON	DATE	2020.10.30	UNIT: mm	DWN.NO.	KQ-JDR-USCF053-S008
JKCR Electronics Co., Ltd.						001