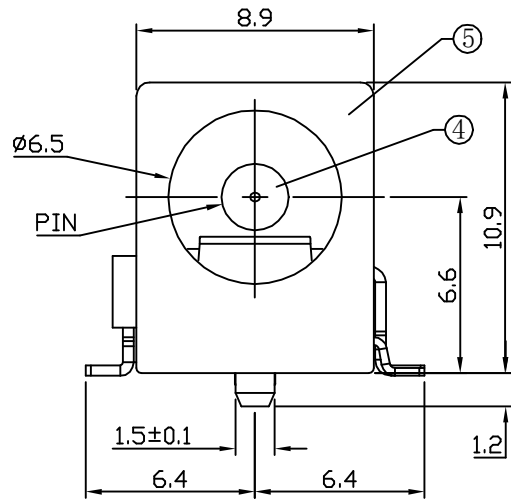
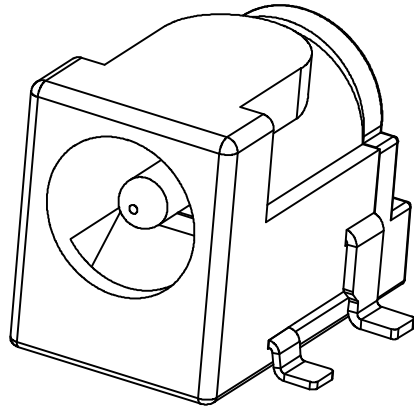
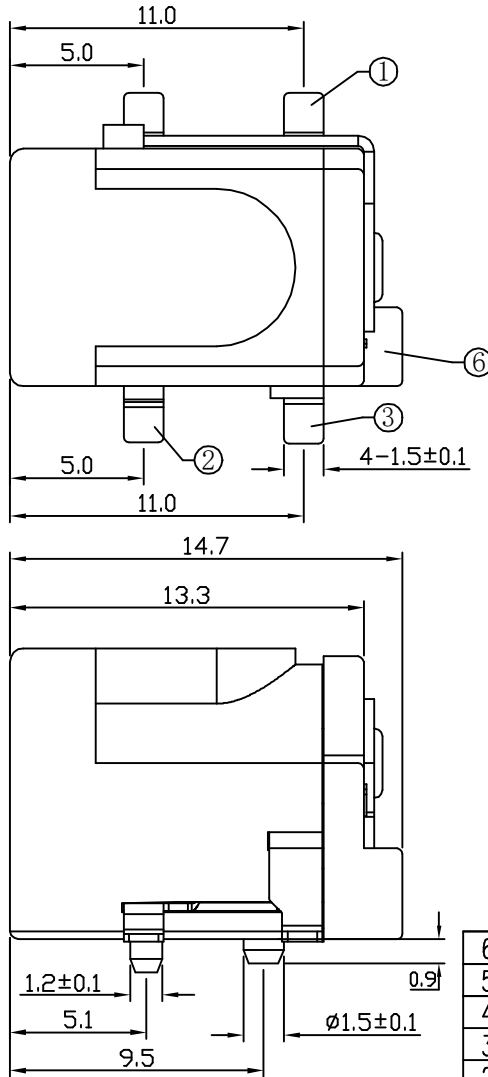


\* RoHS COMPLIANT \*

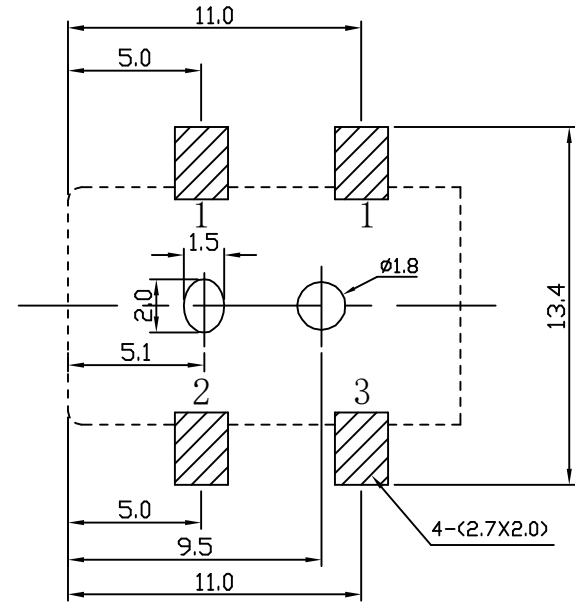


CAT NO.	PIN	SCHEMATIC
DCS-020-04AS	φ2.0	
DCS-020-04BS	φ2.5	

UNLESS OTHERWISE SPECIFIED, TOLERANCE ON DECIMAL: ±0.2



* REVISIONS				
LTR	DESCRIPTION	DATE	REVISED	APPROVED



T:1.6 Dimensions of PC board holes  
Tolerance : ±0.05(Printed-top view)

6	COVER	1	PA9T	UL-94V0(BLACK)
5	HOUSING	1	PA9T	UL-94V0(BLACK)
4	PIN	1	H59(COPPER ALLOY)	Ni PLATED
3	CURVE PIECE	1	C2680 t=0.40	Ag PLATED
2	SPRING	1	C5191 t=0.30	Ag PLATED
1	CURVE PIECE	1	C2680 t=0.40	Ag PLATED
LTR	PART NAME	QTY	MATERIAL	REMARK
DWN	LILY	DATE	2022.03.25	3RD ANGLE PROJECTION NAME DC POWER JACK
CHKD	ANDY	DATE	2022.03.25	
APVD	JON	DATE	2022.03.25	
JKCR Electronics Co., Ltd.				CAT. NO. DCS-020-04XS
				DWN.NO. A-020-04
				002