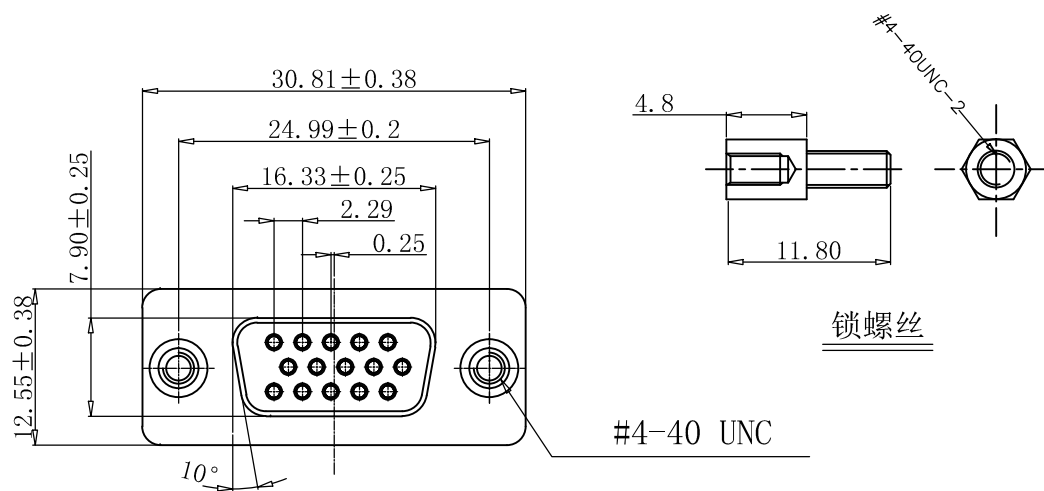


* RoHS COMPLIANT *

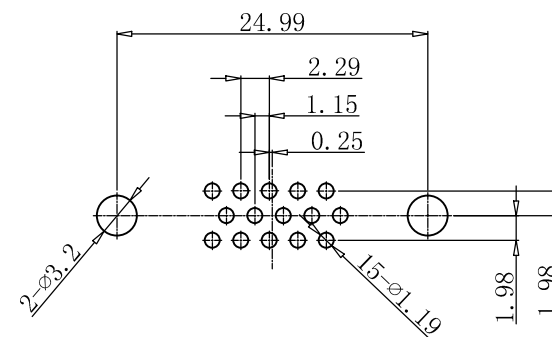
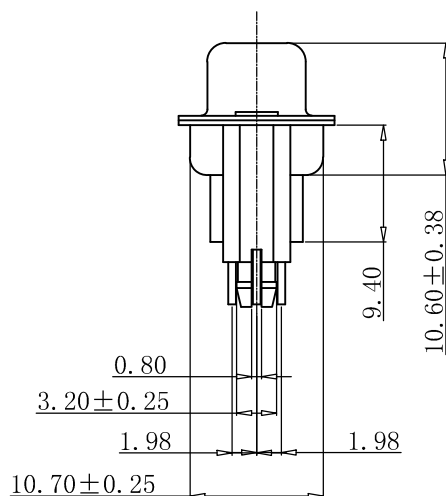
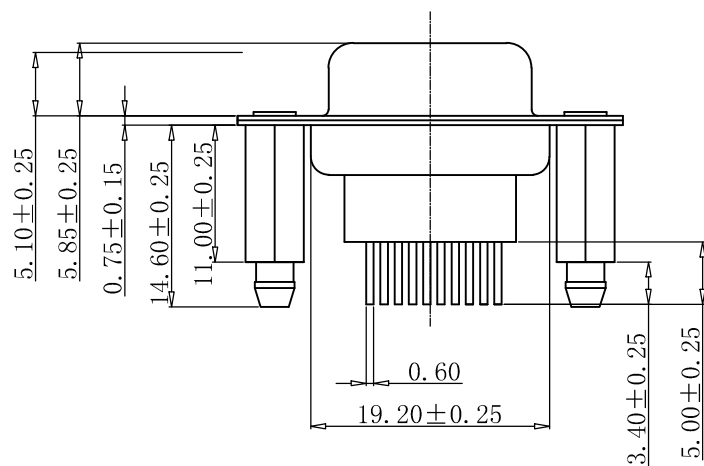
* REVISIONS

LTR	DESCRIPTION	DATE	REVISED	APPROVED



NOTE:

- MATERIALS AND FINISHED
 INSULATOR : PBT+30% GF UL 94V-0,
 SHELL : STEEL, NI OR SN FINISHED
 CONTACT MATERIAL : BRASS, SELEVITE GOLD FINISHED
 RIVETED INSERT: BRASS MATERIAL , TIN FINISHED
 SCREWS : BRASS OR STEEL , NICKEL FINISHED
 WITH #4-40 THREADED ASSEMBLED
- ELECTRICAL CHARACTERISTICS
 CURRENT RATING : 1.0 AMP DC
 VOLTAGE RATING: 300 V DC
 CONTACT RESISTANCE :30 MILLIOHMS MAX.
 DIELECTRIC WITHSTANDING VOLTAGE : 1000 V AC MIN.
 INSULATION RESISTANCE : 1000 MEGAOHMS MIN.
- MECHANICAL
 MATING FORCE:5.5Kgf MAX.
 UNMATING FORCE:1.0 Kgf MIN
- ENVIRONMENTAL
 OPERATING TEMPERATURE: -25° C ~ +85° C
 STORAGE TEMPERATURE:-25° C ~ +85° C



RECOMMENDED PCB LAYOUT THICKNESS=1.6mm
 TOLERANCE: ±0.05

UNLESS TOLERANCES	DWN	LILY	DATE	2018.05.25	3RD ANGLE PROJECTION	NAME	HDP 15母鉚合銅柱11.0mm, 尾端5.0mm, 附4.8螺絲	
	CHKD	ANDY	DATE	2018.05.25		CAT NO.	JCD-A07F15-GD03	
X.X ± 0.30 X.XX ± 0.20 X.XXX ± 0.10	X.X° ± 3° X.XX° ± 1° X.XXX° ± 0.5°	APVD	JON	DATE	2018.05.25	UNIT: mm	DWN. NO.	ZM-A07F15-GD03
JKCR Electronics Co., Ltd.								001